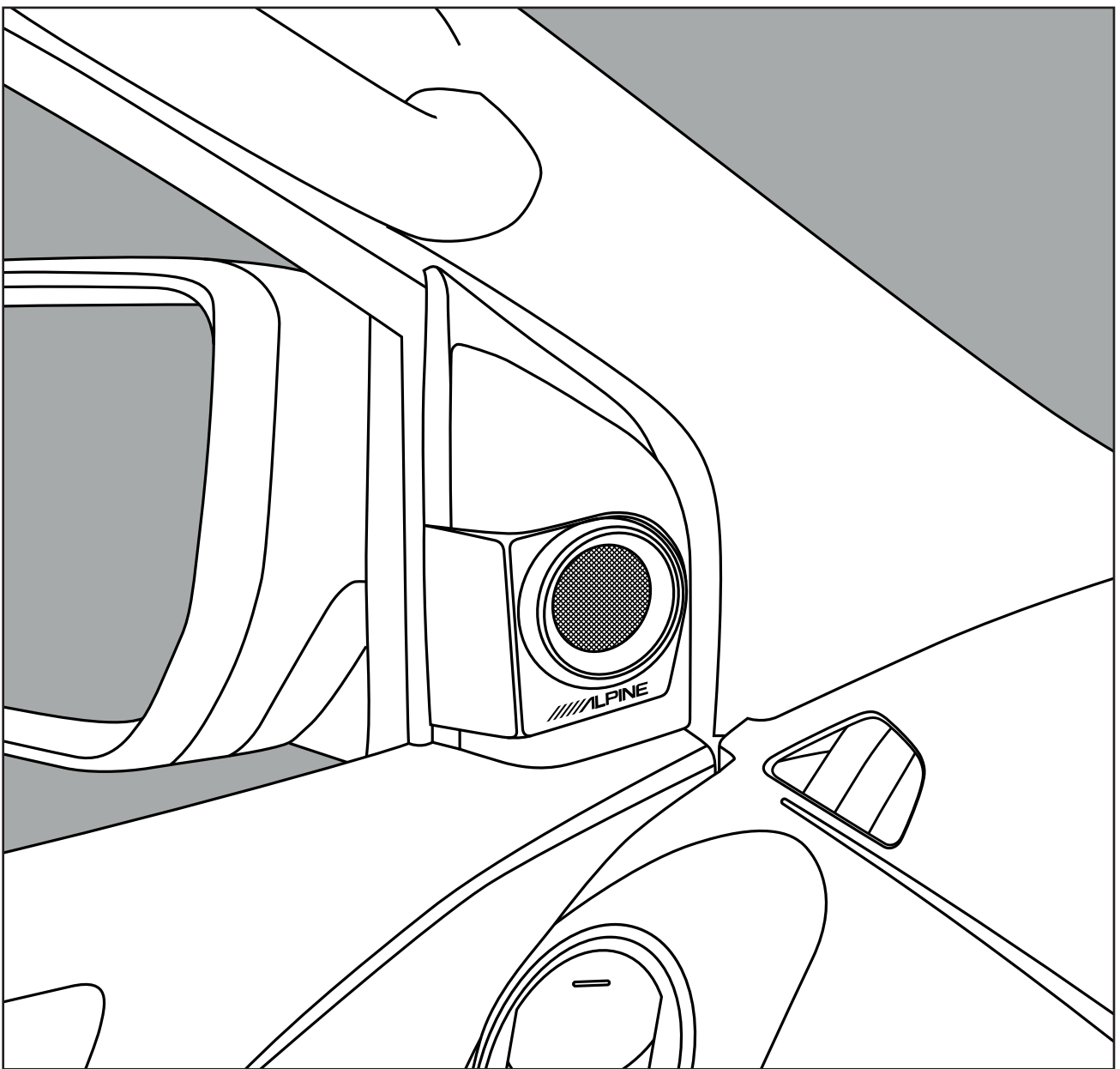




Emotion in Mobility

ALPINE PREMIUM SPEAKER SYSTEM

BT50-R265P / BT50-S265P



Installation Manual

WARNING

Before installing or connecting the unit, please read the following thoroughly for proper use.



WARNING

MAKE THE CORRECT CONNECTIONS.

Failure to make the proper connections may result in fire or product damage.

DO NOT ALLOW CABLES TO BECOME ENTANGLED IN SURROUNDING OBJECTS.

Arrange wiring and cables in compliance with the manual to prevent obstructions when driving. Cables or wiring that obstruct or hang up on places such as the steering wheel, shift lever, brake pedals, etc. can be extremely hazardous.

DO NOT OBSTRUCT AIRBAGS OR ANY OTHER SAFETY RELEVANT PARTS OF THE VEHICLE WHILE INSTALLING THE PRODUCT.

Doing so may lead to failure of the vehicle's safety systems and results in severe injury or death.



CAUTION

USE SPECIFIED ACCESSORY PARTS AND INSTALL THEM SECURELY.

Be sure to use only the specified accessory parts. Use of other than designated parts may damage this unit internally or may not securely install the unit in place. This may cause parts to become loose resulting in hazards or product failure.

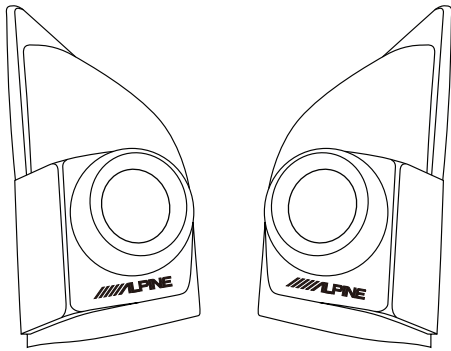
ARRANGE THE WIRING SO IT IS NOT CRIMPED OR PINCHED BY A SHARP METAL EDGE.

Route the cables and wiring away from moving parts (like the seat rails) or sharp or pointed edges. This will prevent crimping and damage to the wiring. If wiring passes through a hole in metal, use a rubber grommet to prevent the wire's insulation from being cut by the metal edge of the hole.

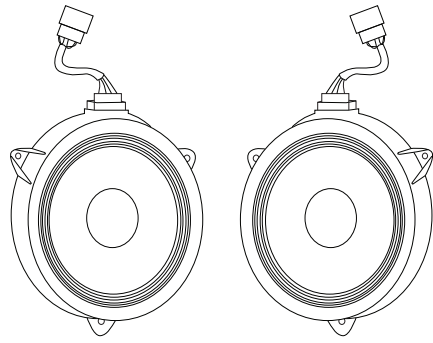
PRECAUTIONS

- It's recommended to disconnect the cable from the (-) battery post before installing this product. This will reduce any chance of damage to the product in case of short-circuit.
- Be sure to connect the specified leads according to the diagram. Incorrect connections may cause the unit to malfunction or damage to the vehicle's electrical system.
- Installations must be carried out indoors only, away from dust and contaminants.

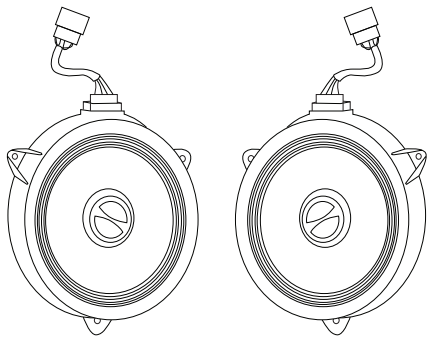
Parts List



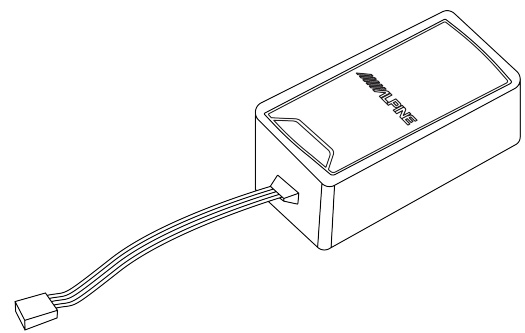
Alpine Tweeter Assembly



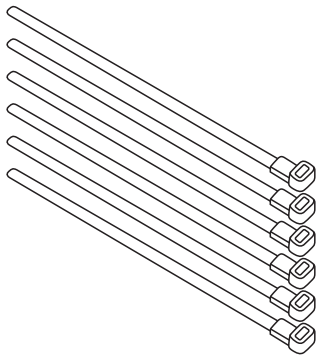
Alpine Front Speakers



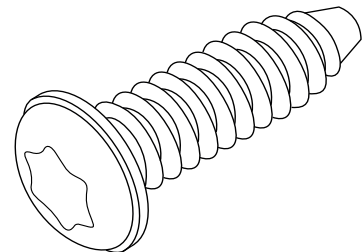
Alpine Rear Speakers



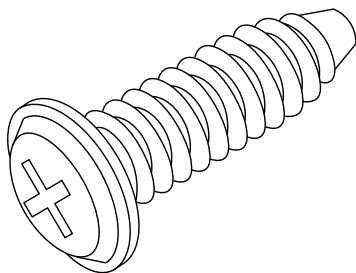
2x Alpine Crossover (BT50-R265P Only)



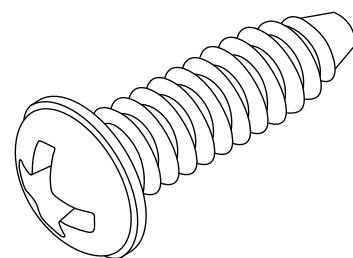
6x Cable Ties



4x T15 Torx Screw
Door Handles (Retained)

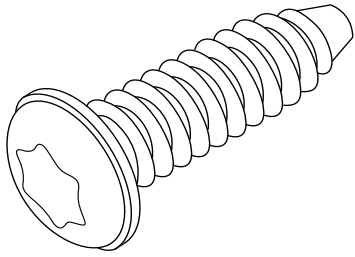


4x Bevel Phillips head Screw
Door Pockets (Retained)

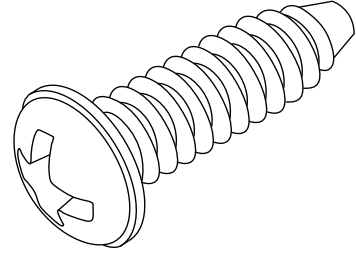


2x Dome Phillips head Screw
Rear Door Cards (Retained)

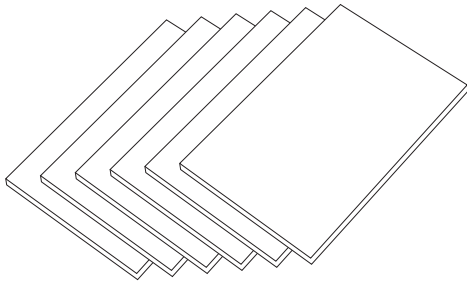
Parts List



12x T15 Torx Screw
Speaker Assemblies (Retained)

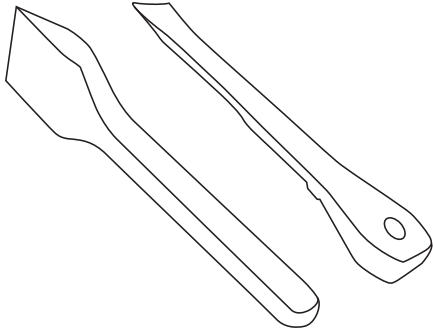


8x Dome Phillips head Screw
Bottom of Door Cards (Retained)

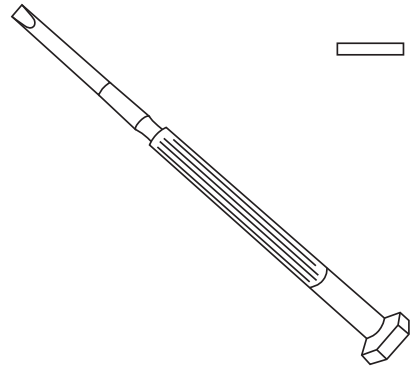


6x Foam Adhesive

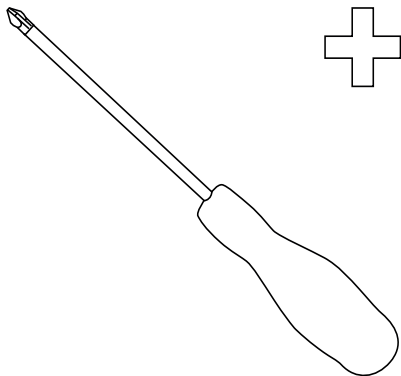
Required Tools



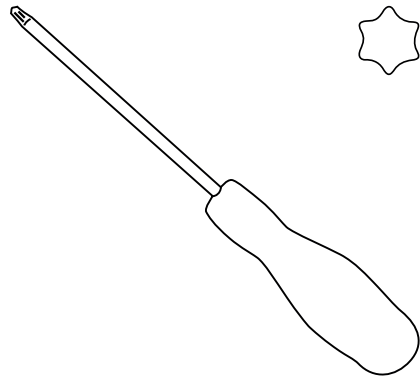
Plastic Trim Removal Tool



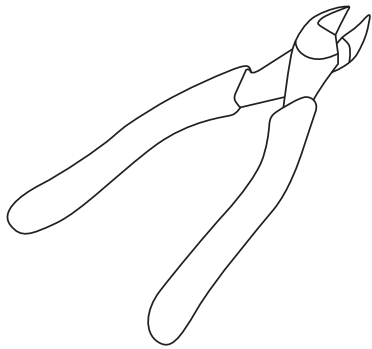
Flat Head Screw Driver



PH2 Screwdriver

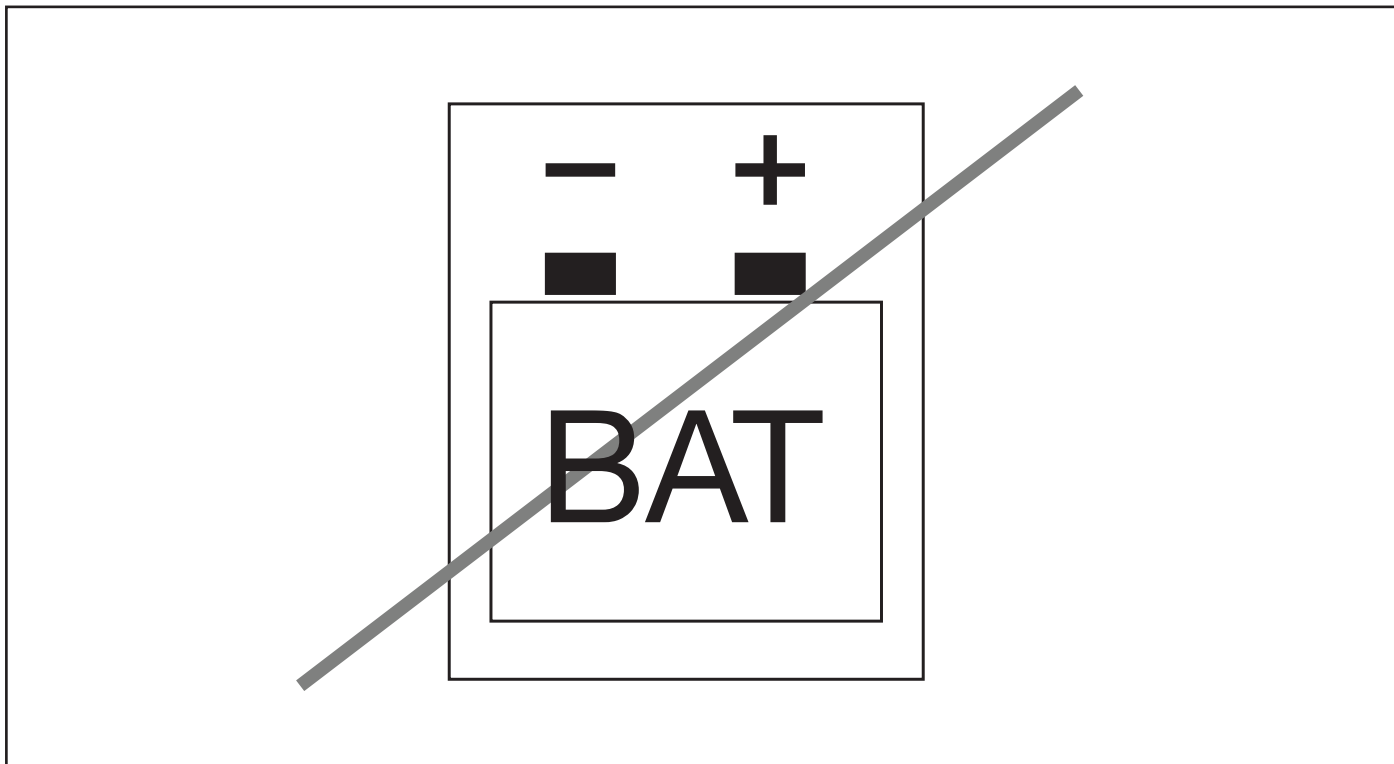


T15 Torx Screwdriver



Side cutters

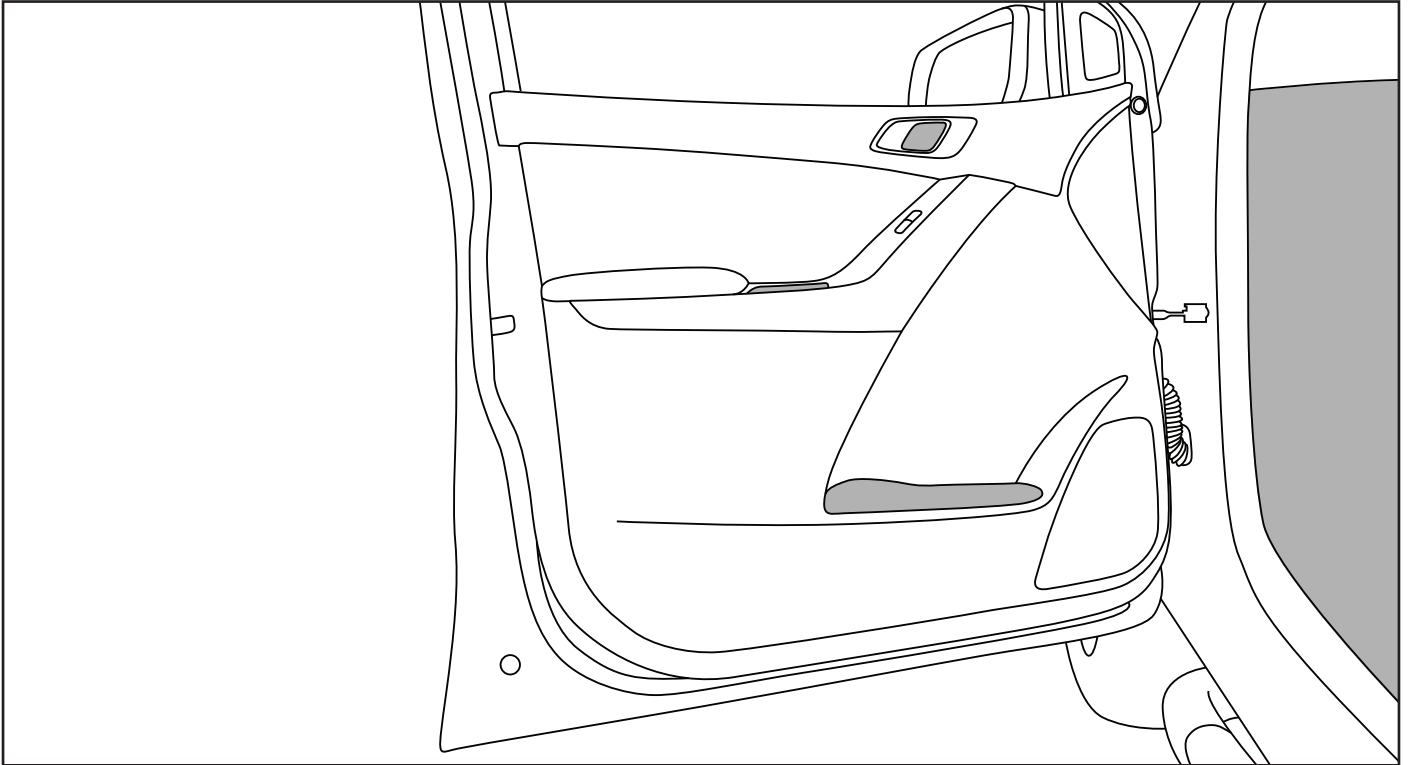
Disconnection Of Battery



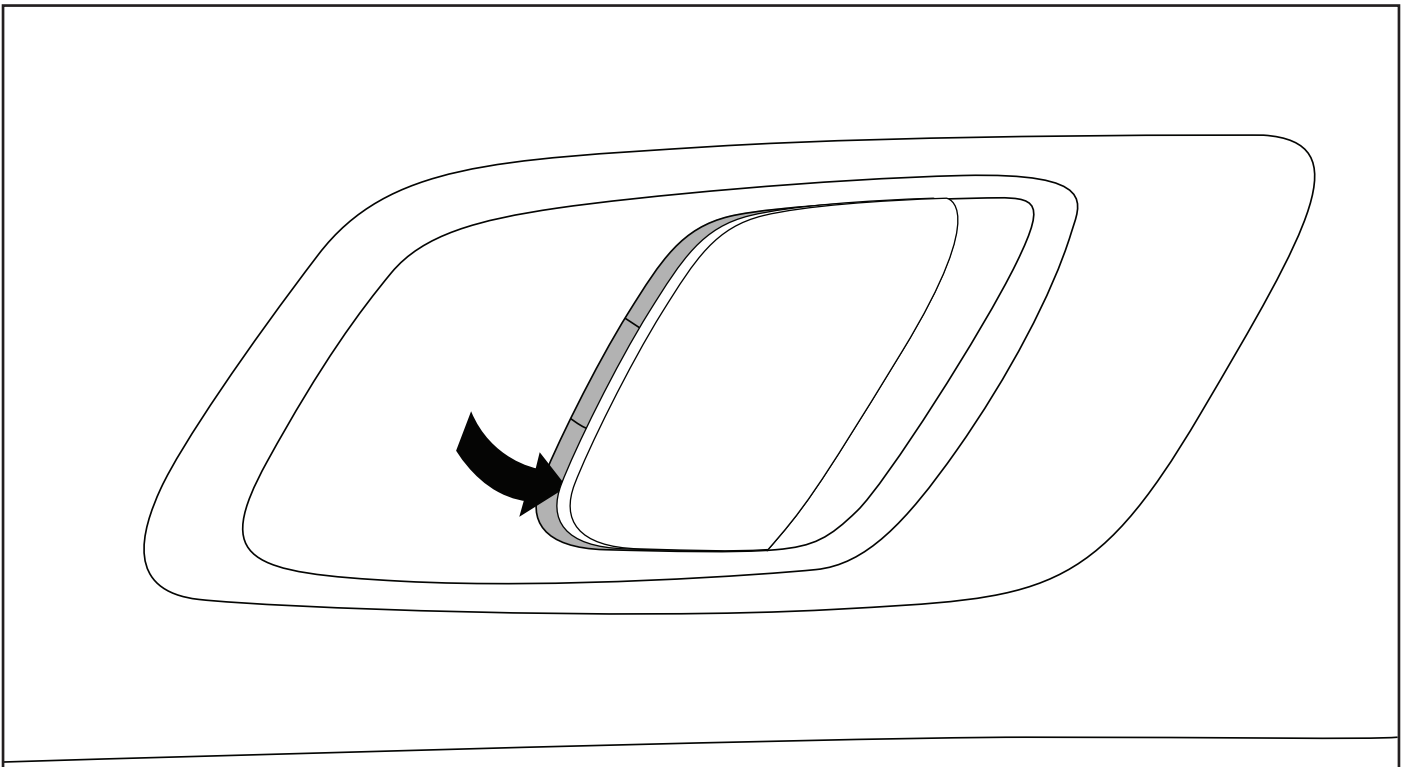
WARNING

It is recommended to disconnect the cable from the negative battery terminal before proceeding with this installation.

Removal of Door Cards (Front)

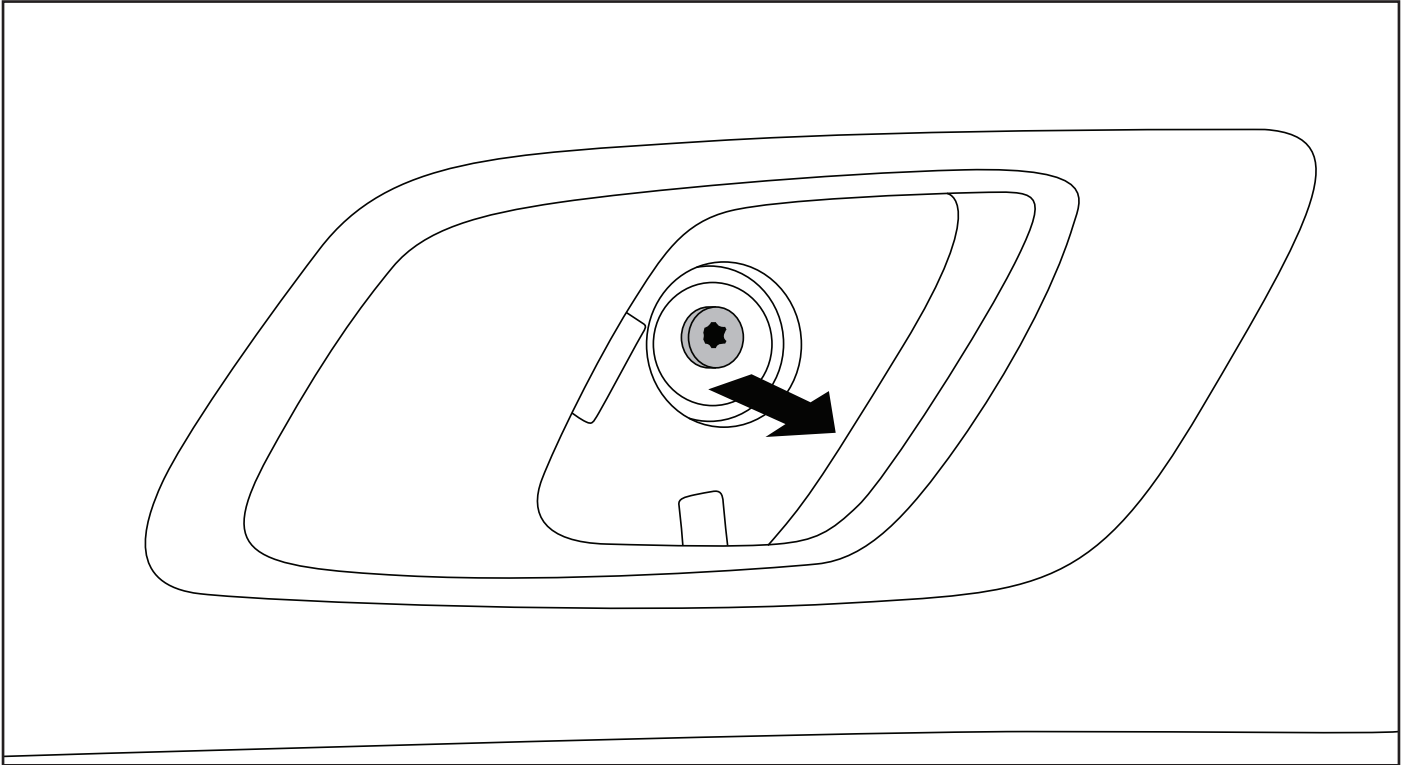


1. To remove the trim from the front door requires a PH2 screwdriver, T15 Torx screwdriver/socket and Jewellers flat head screwdriver.

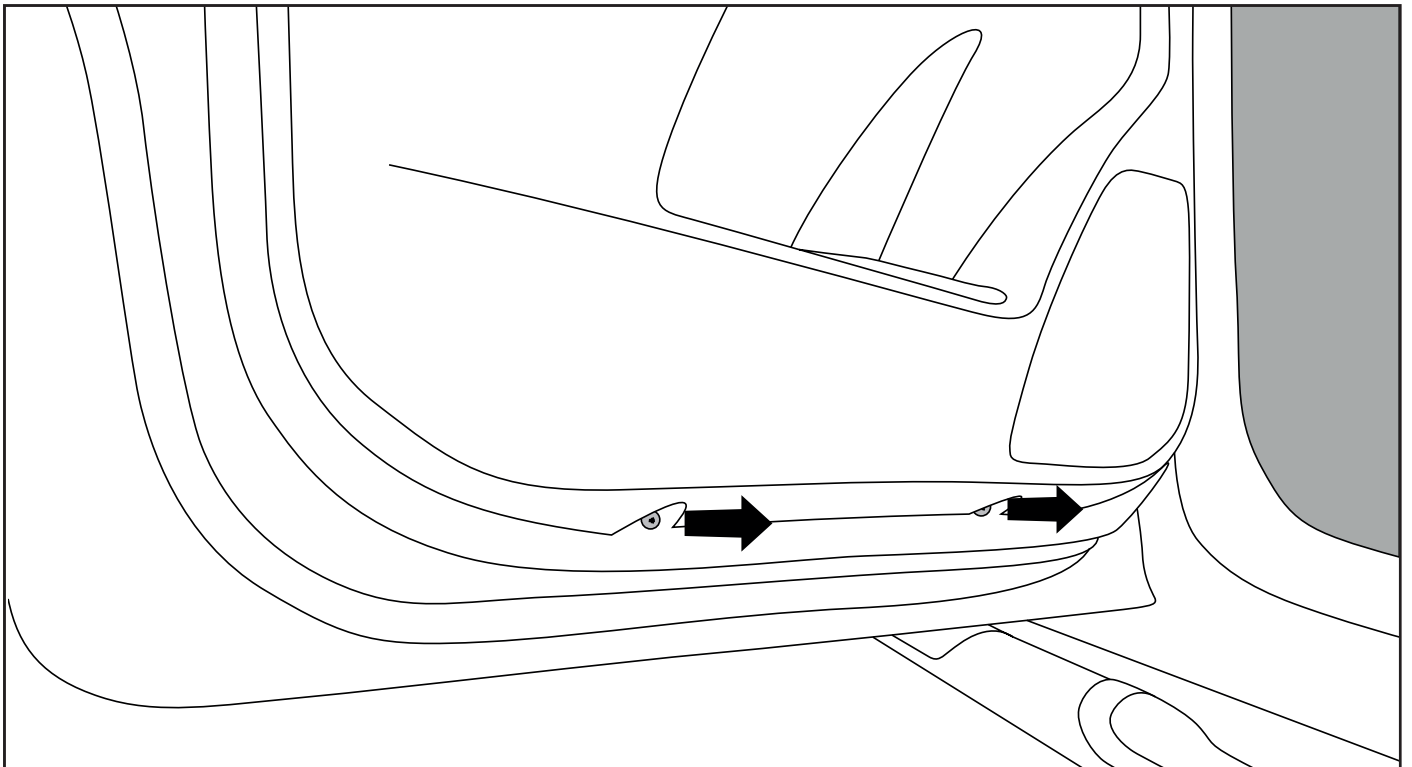


2. Remove the cover from behind the door handle by prying it from the edge using a flat head jewellers screwdriver.

Removal of Door Cards (Front)

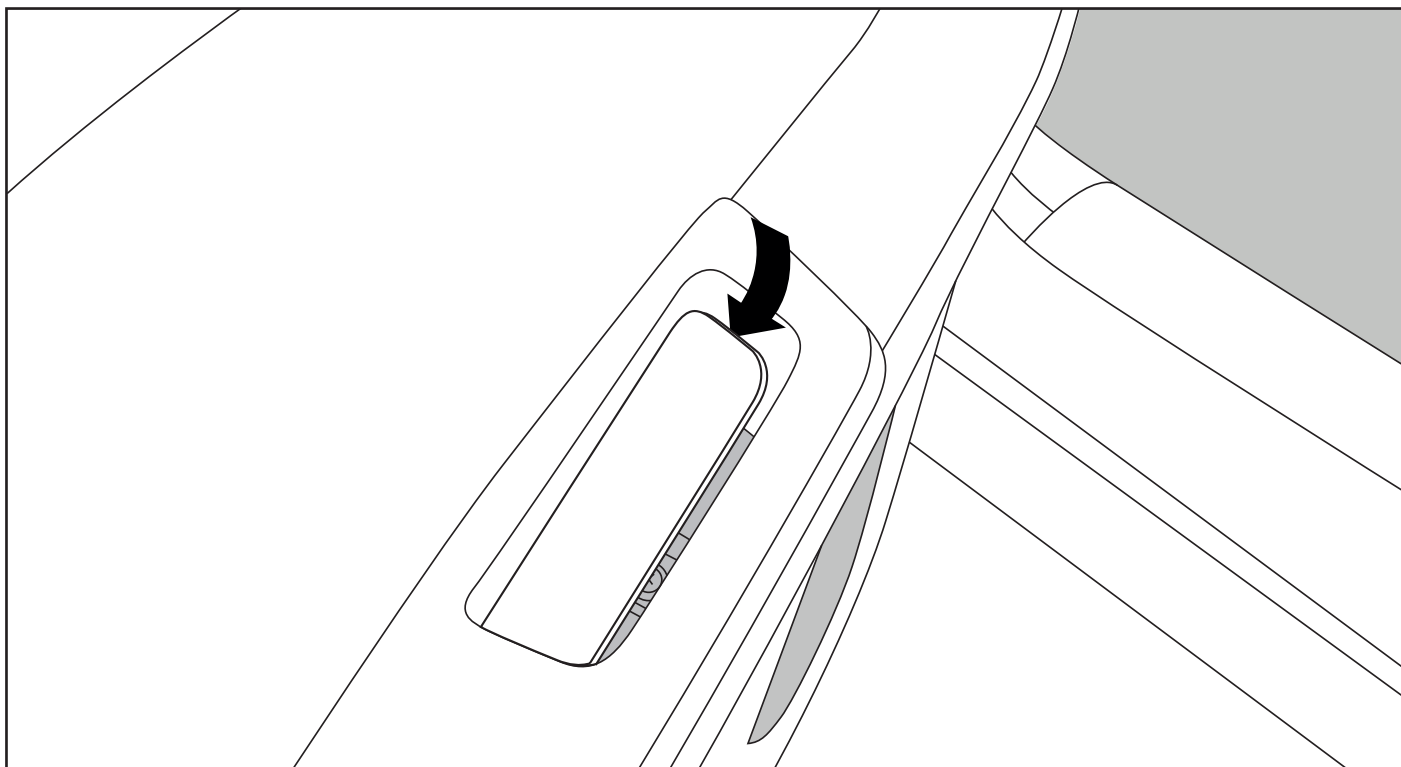


3. Unscrew the T15 Torx Screw with a T15 torx bit/screwdriver.

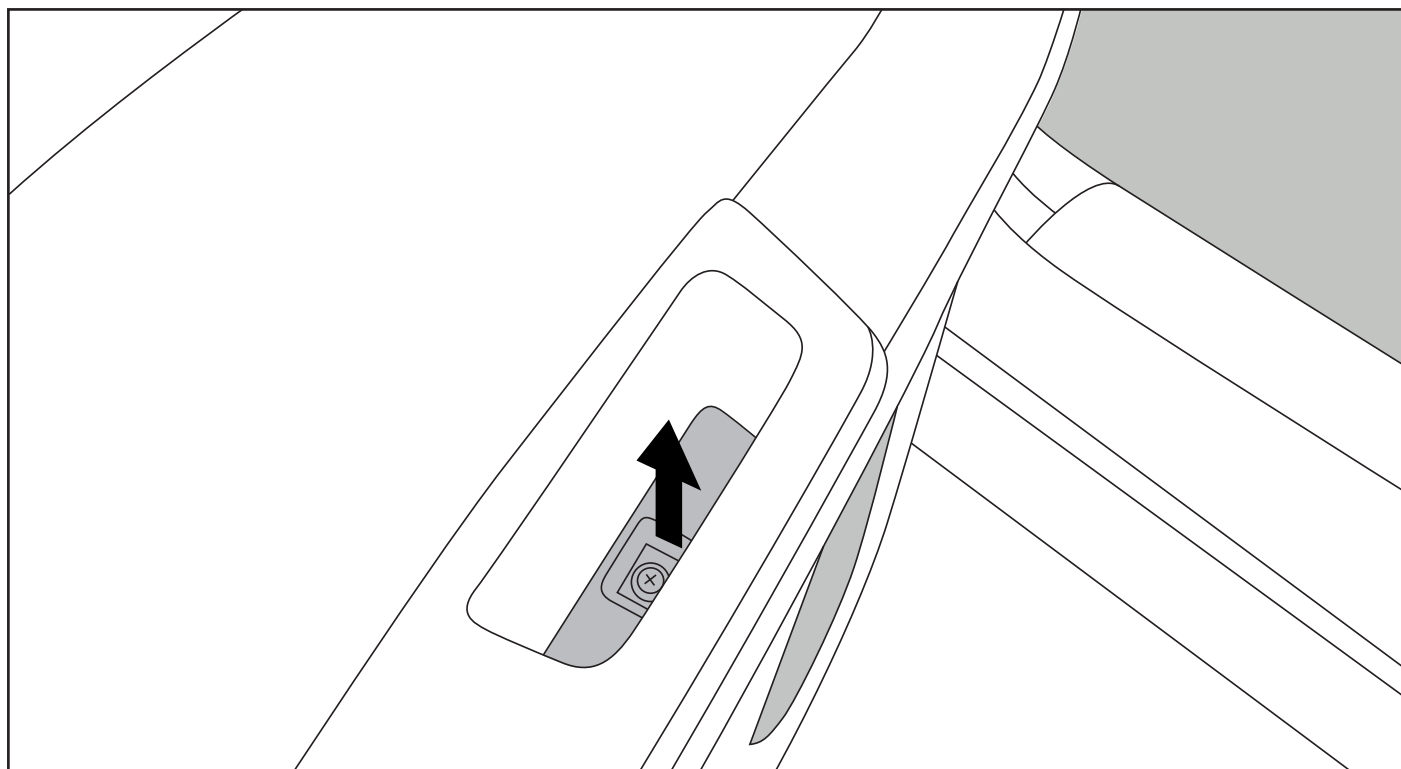


4. Unscrew the 2 Domed Phillips-Head Screws holding in the bottom of the door card with a PH2 screwdriver.

Removal of Door Cards (Front)

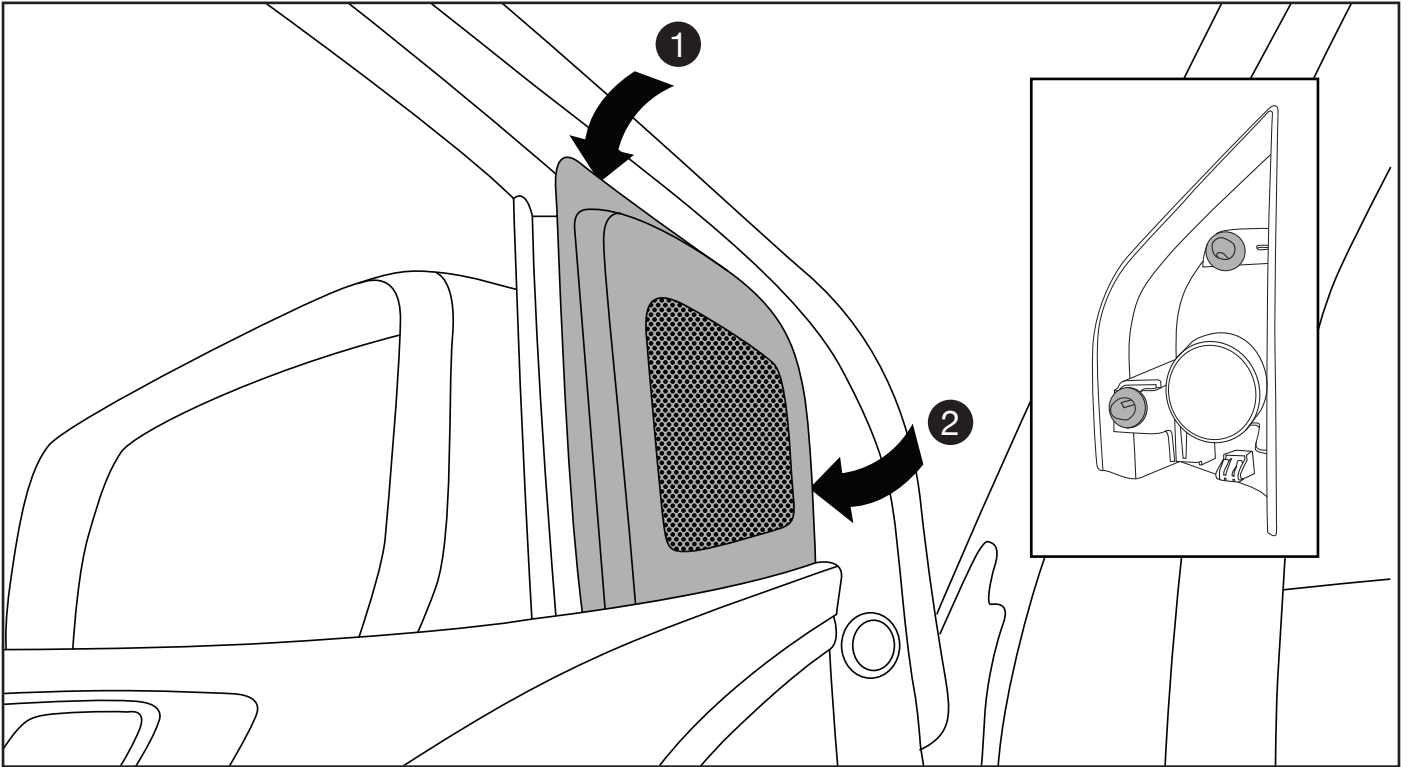


5. Remove the cover inside the pocket of the door card to expose the flat phillips head screw

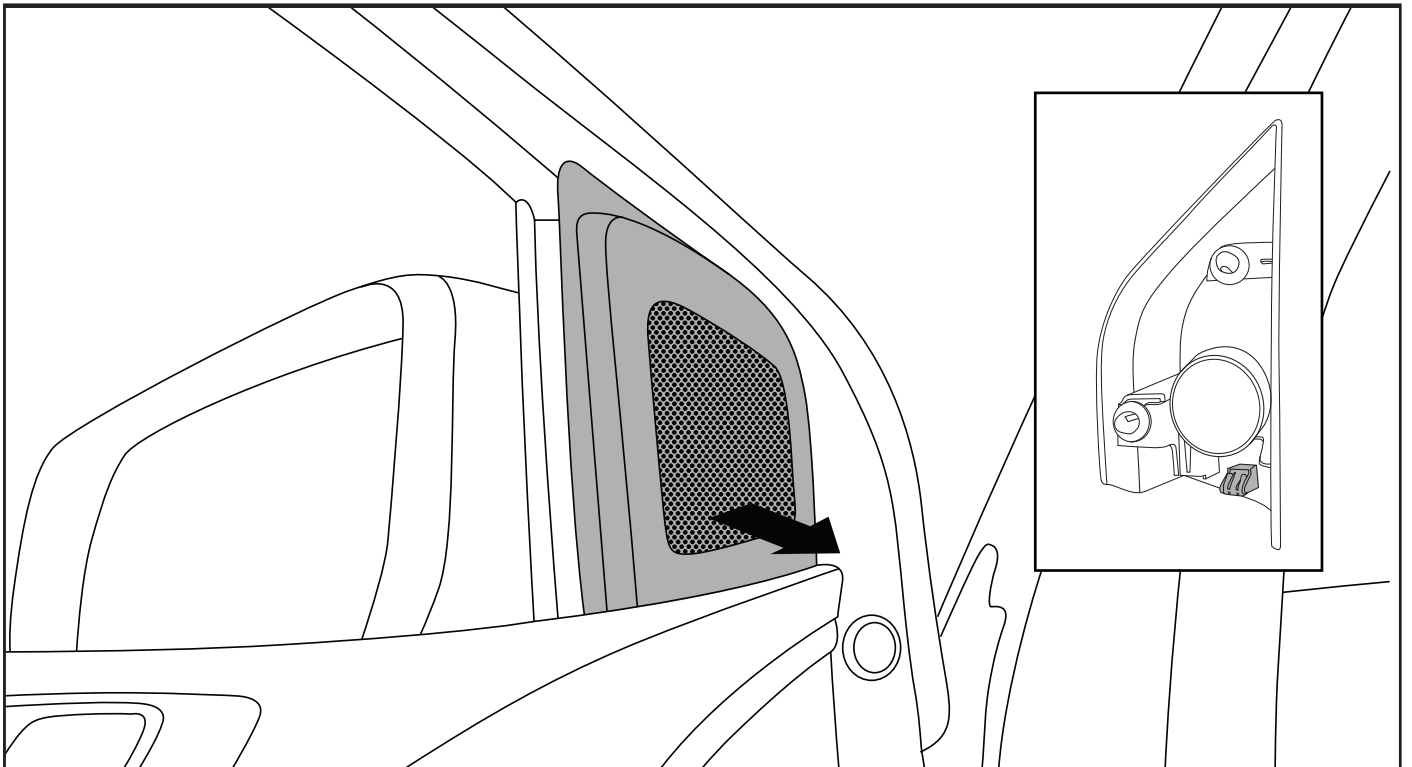


6. Unscrew the bevel phillips-head screw inside the pocket of the door card.

Removal of Door Cards (Front)

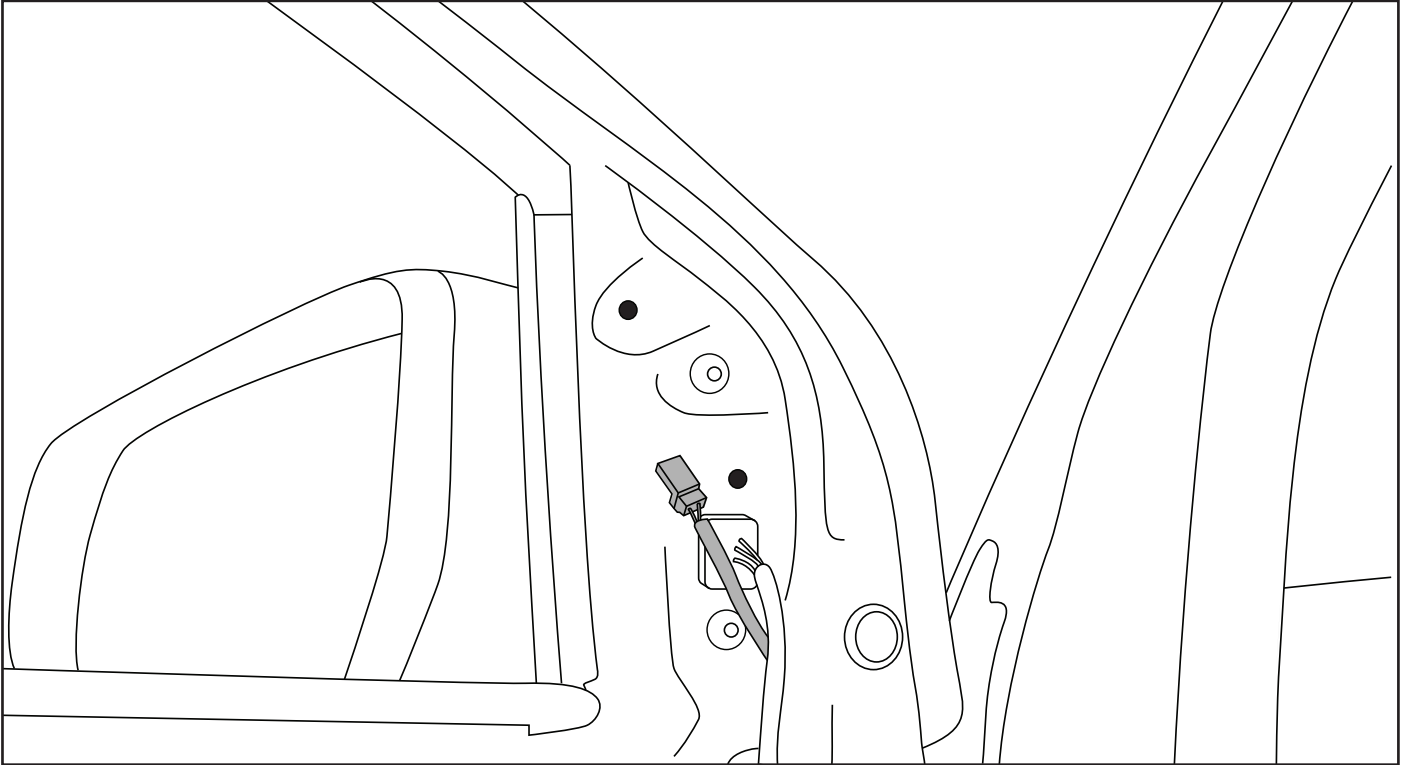


7. To remove the tweeter assembly, release the top and side push clips by prying the assembly out from the indicated locations with a trim removal tool

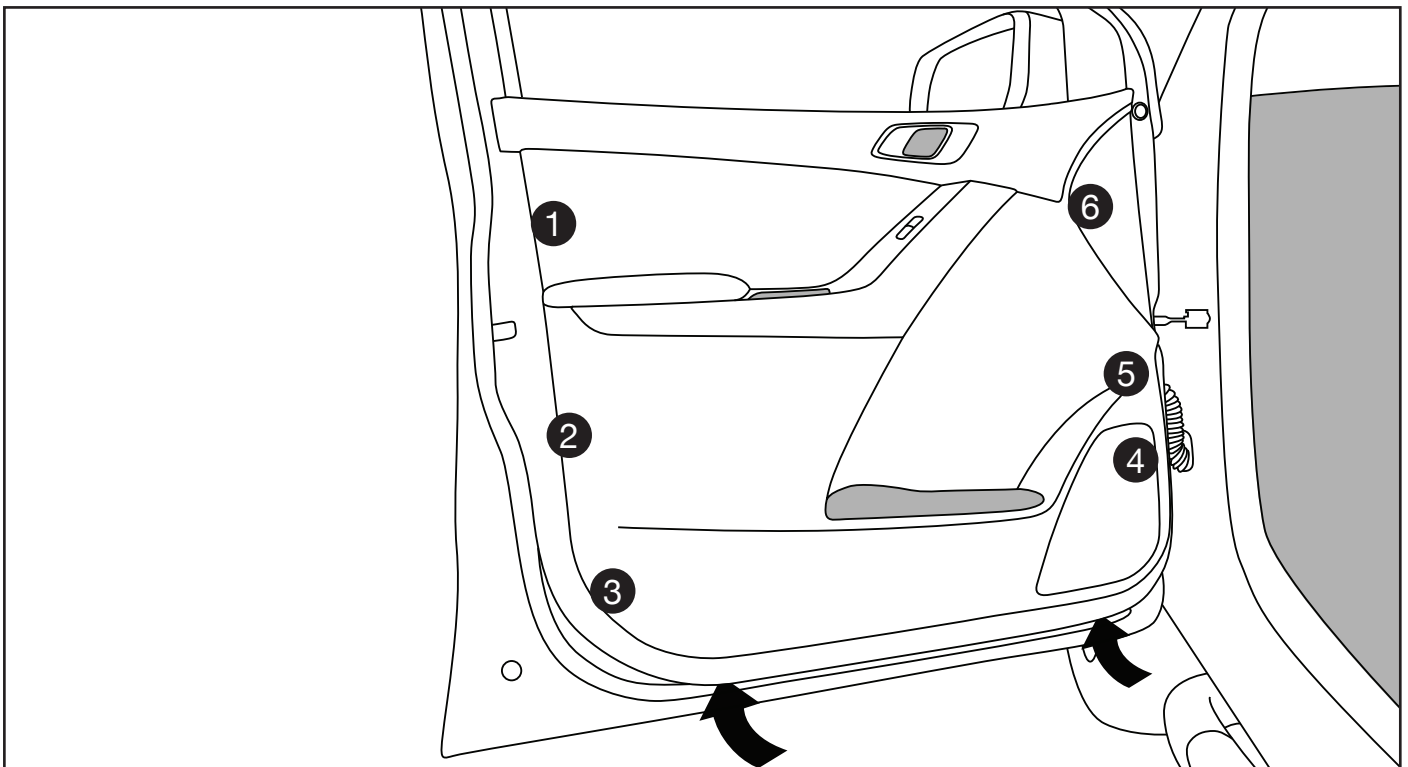


8. Once the 2 push clips are released, pull outwards to release the third clip and remove the assembly.

Removal of Door Cards (Front)



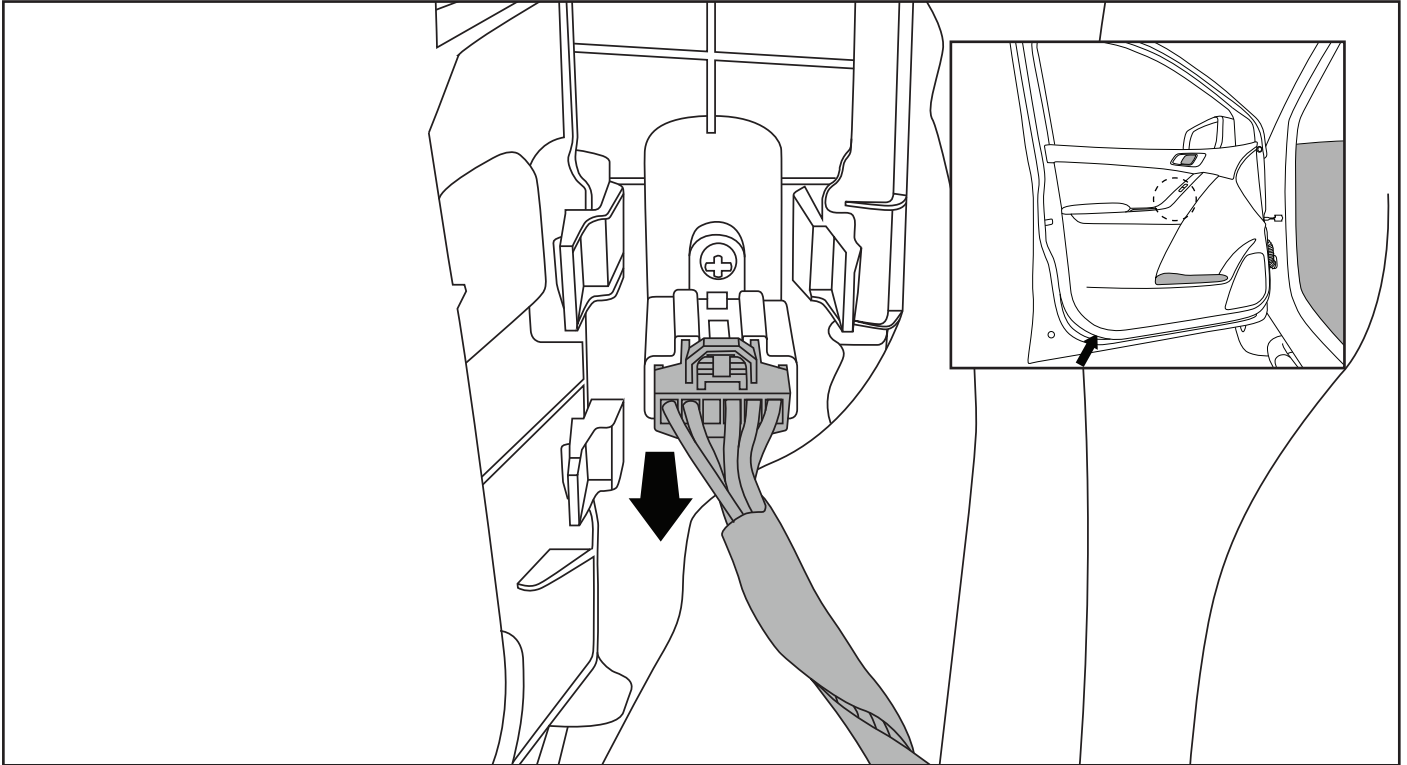
9. Unclip the connector holding the tweeter assembly in place.



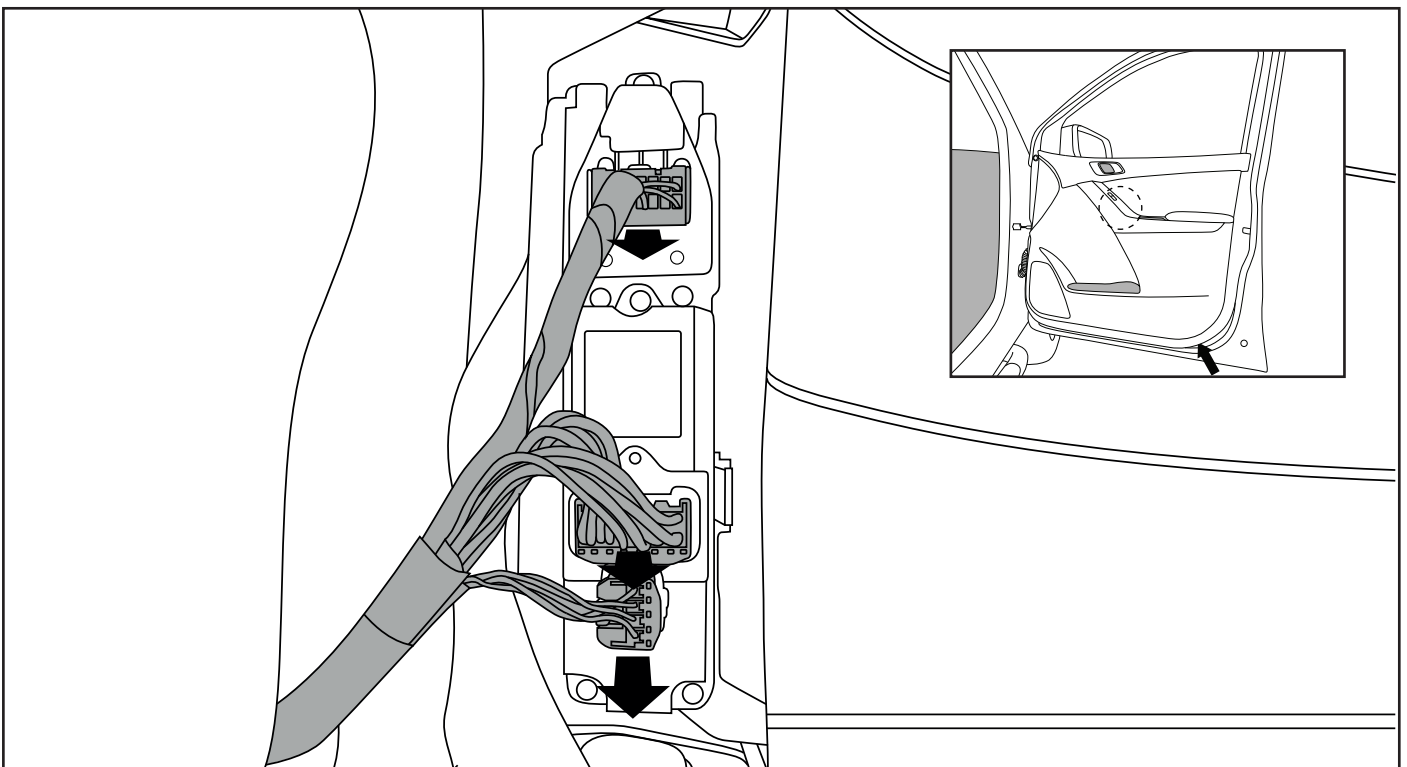
10. Starting at the bottom of the door card, pull it away from the door at the respective clipping points indicated by numbers 1-6.

Keep the door card hanging from the top edge of the door.

Removal of Door Cards (Front)

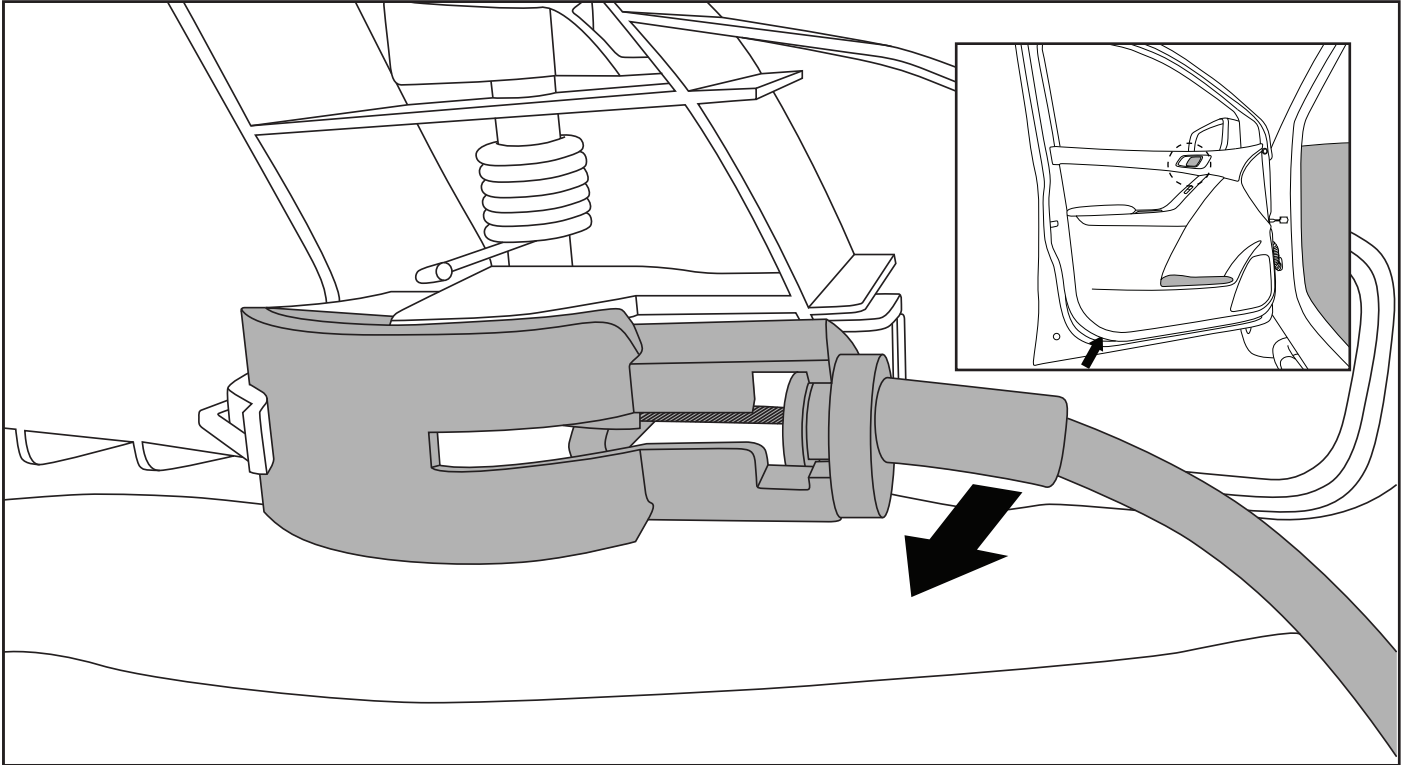


11. With the door card still hanging from the top edge, disconnect the window switch connector reaching from the bottom of the door card and releasing it from the switch
Note that the drivers side door card has 3 connectors to unclip.

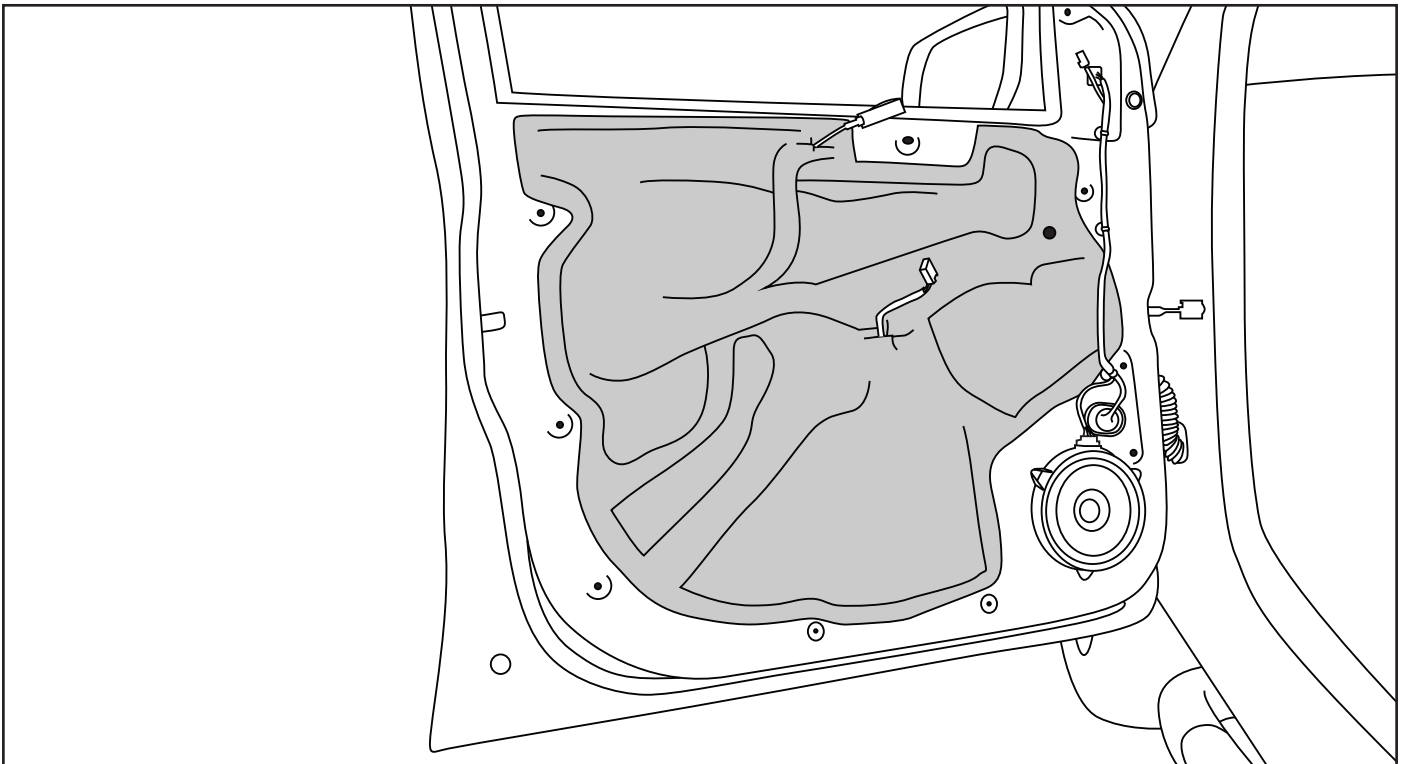


Drivers Side connectors

Removal of Door Cards (Front)

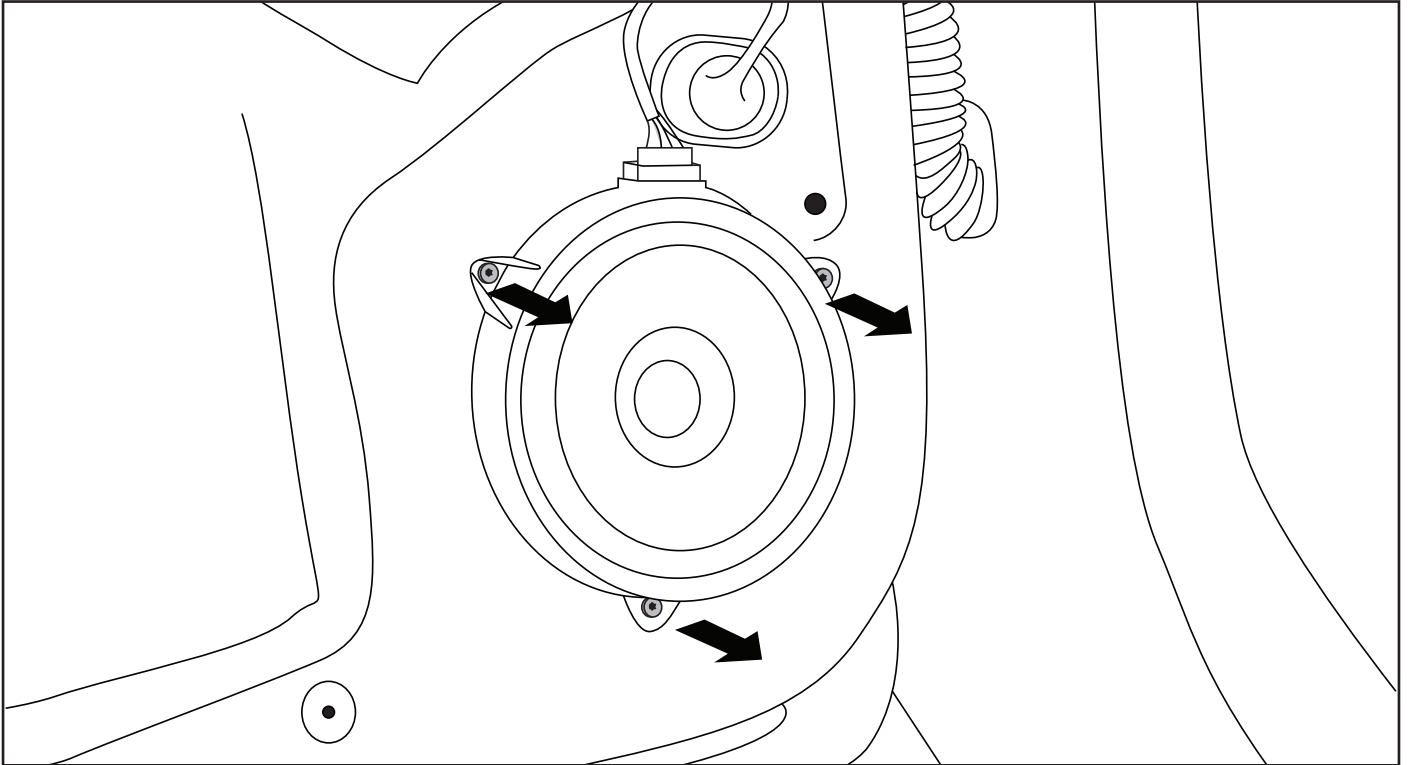


12. With the door card still hanging from the top edge, disconnect the door handle mechanism by reaching from the bottom of the door card and pulling it away from the door card.

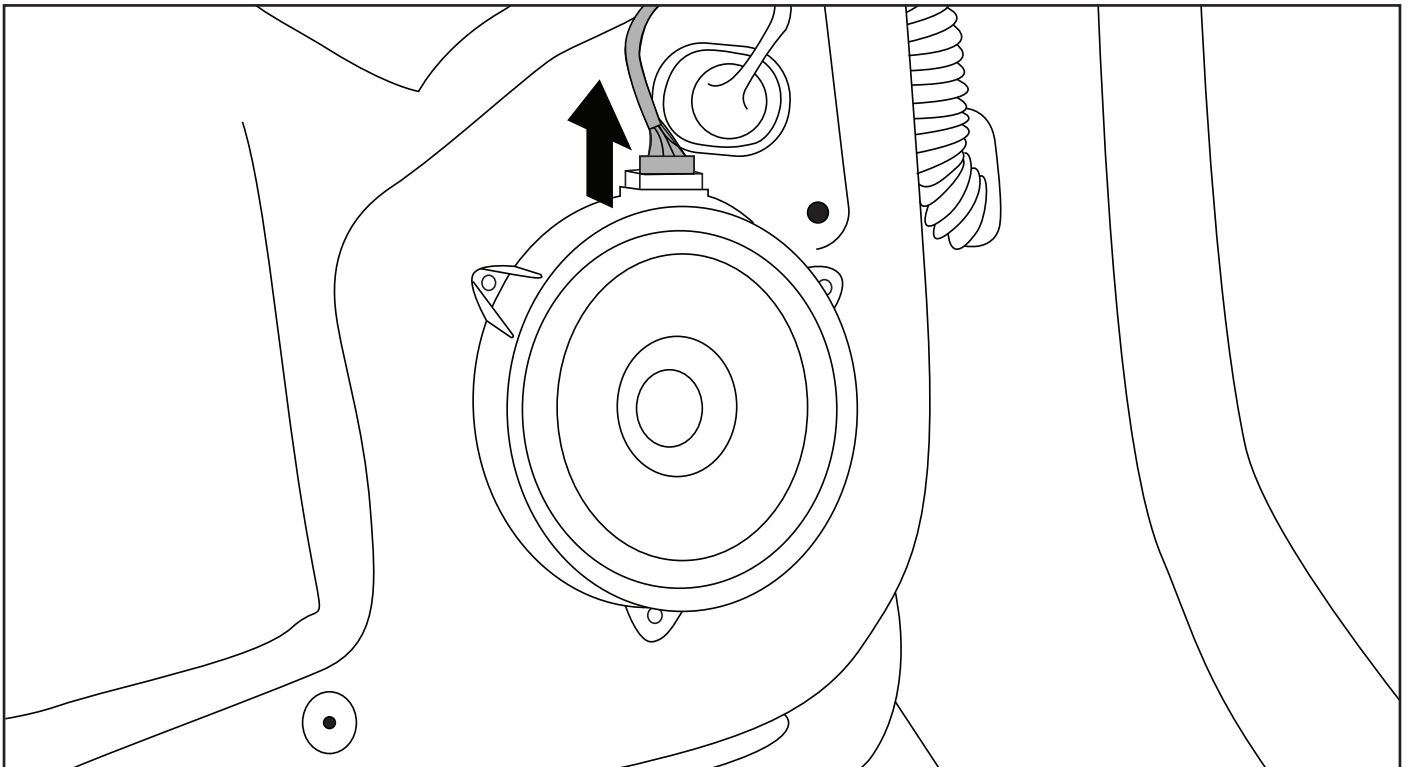


13. Slide the door card up to un-hinge it and remove it from the door once all clips and connectors are removed.

Removal of Speakers (Front)

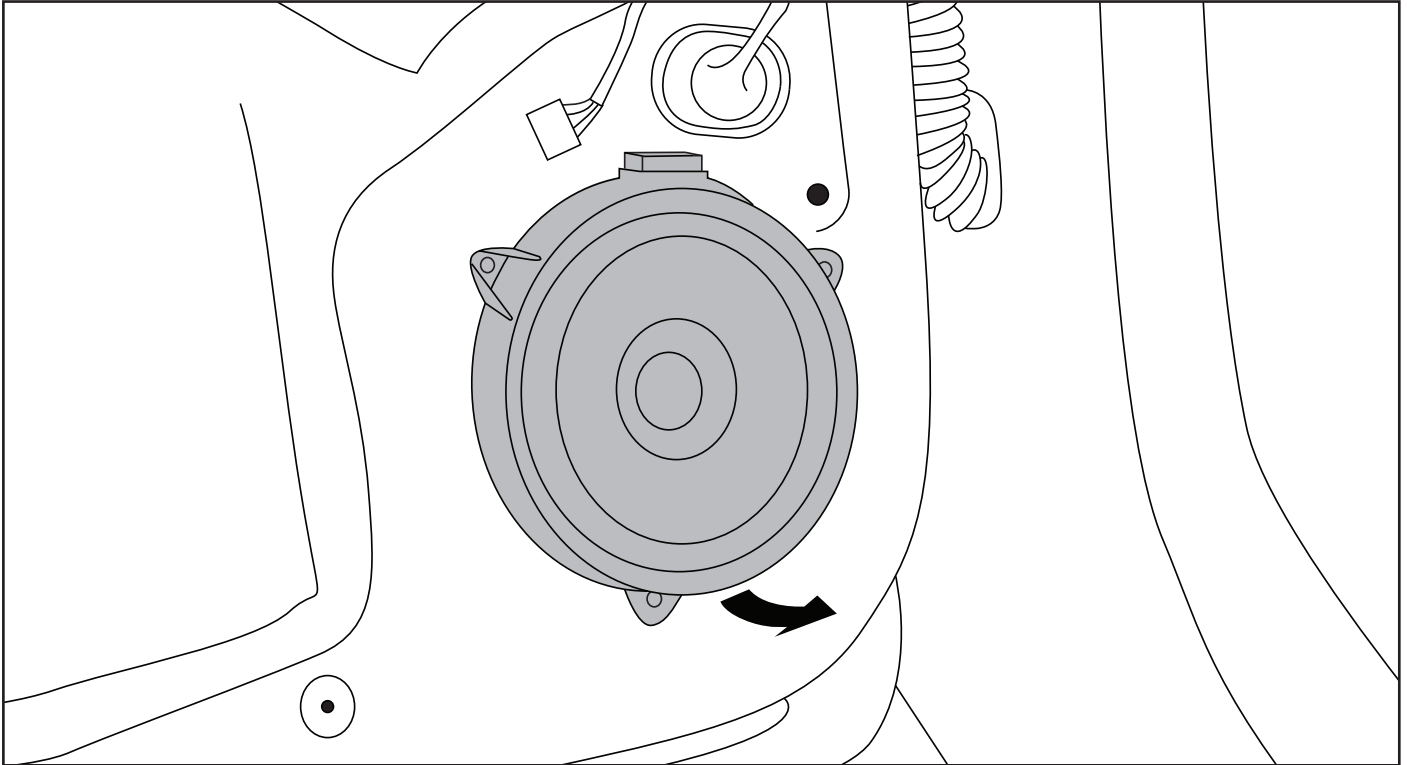


14. Unscrew the 3 T15 Torx Screws holding the factory speaker assembly in place. Retain the screws for installation of Alpine speakers.



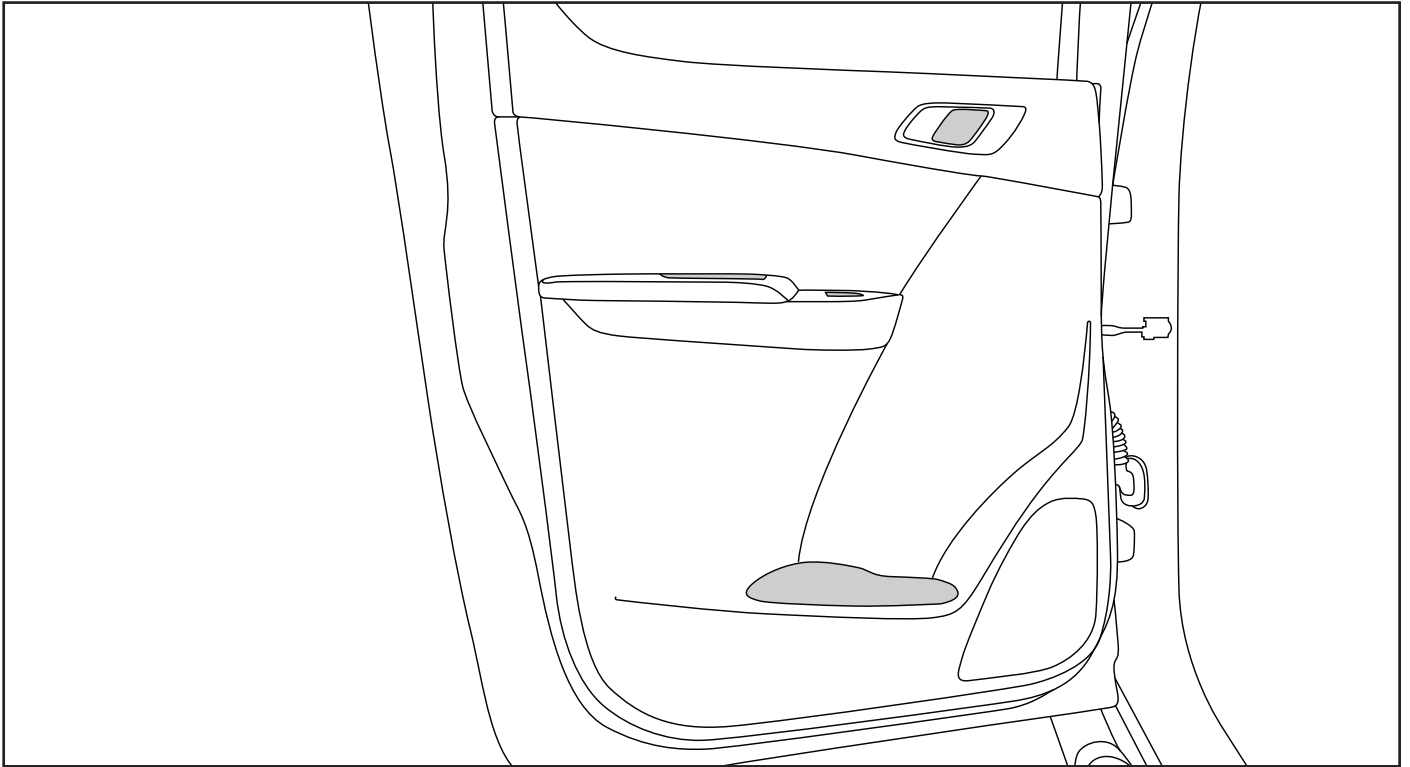
15. Unplug the speaker wiring connector from the speaker assembly.

Removal of Speakers (Front)

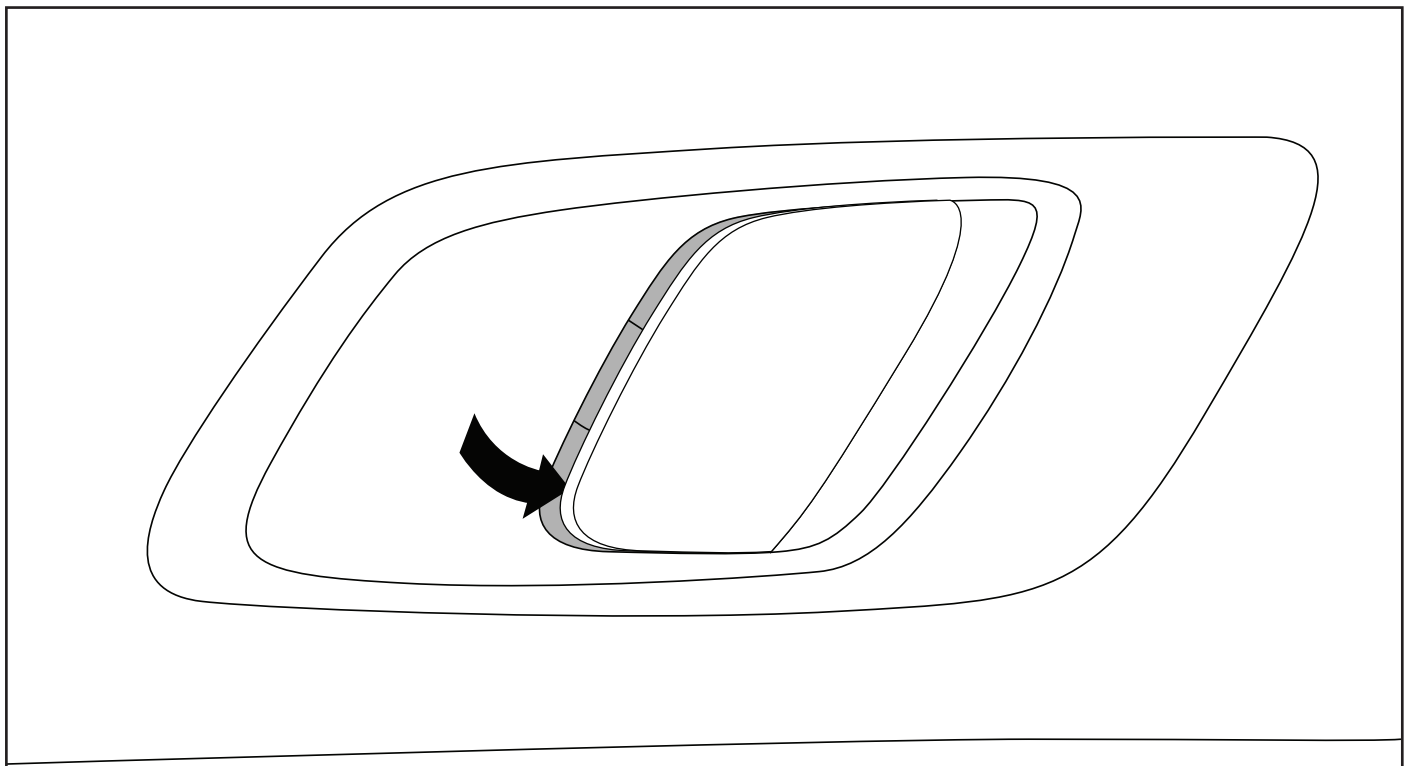


16. Remove the speaker by levering it out from the bottom to release the clip holding it into the door.

Removal of Door Cards (Rear)

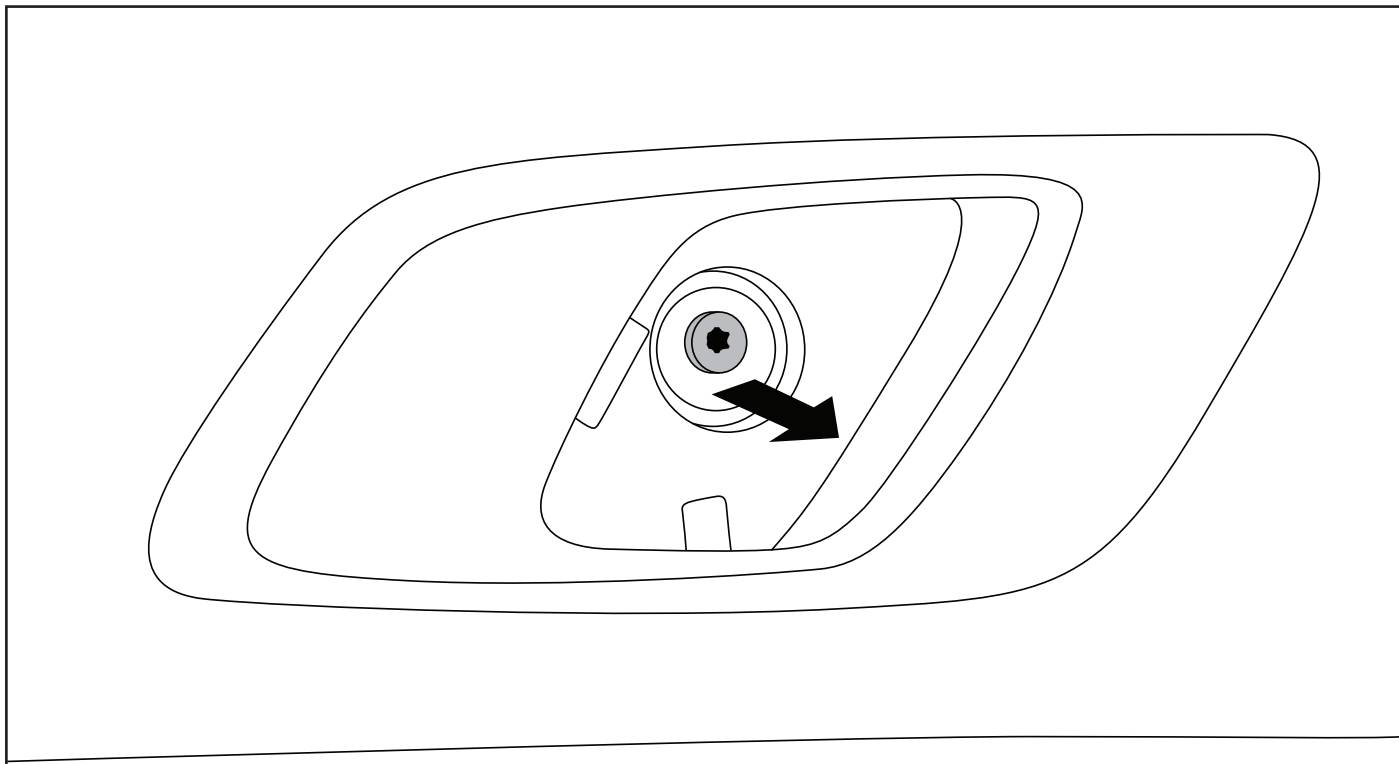


17. Removing the trim from the front door requires a PH2 screwdriver, T15 Torx screwdriver/socket and Jewellers flat head screwdriver.

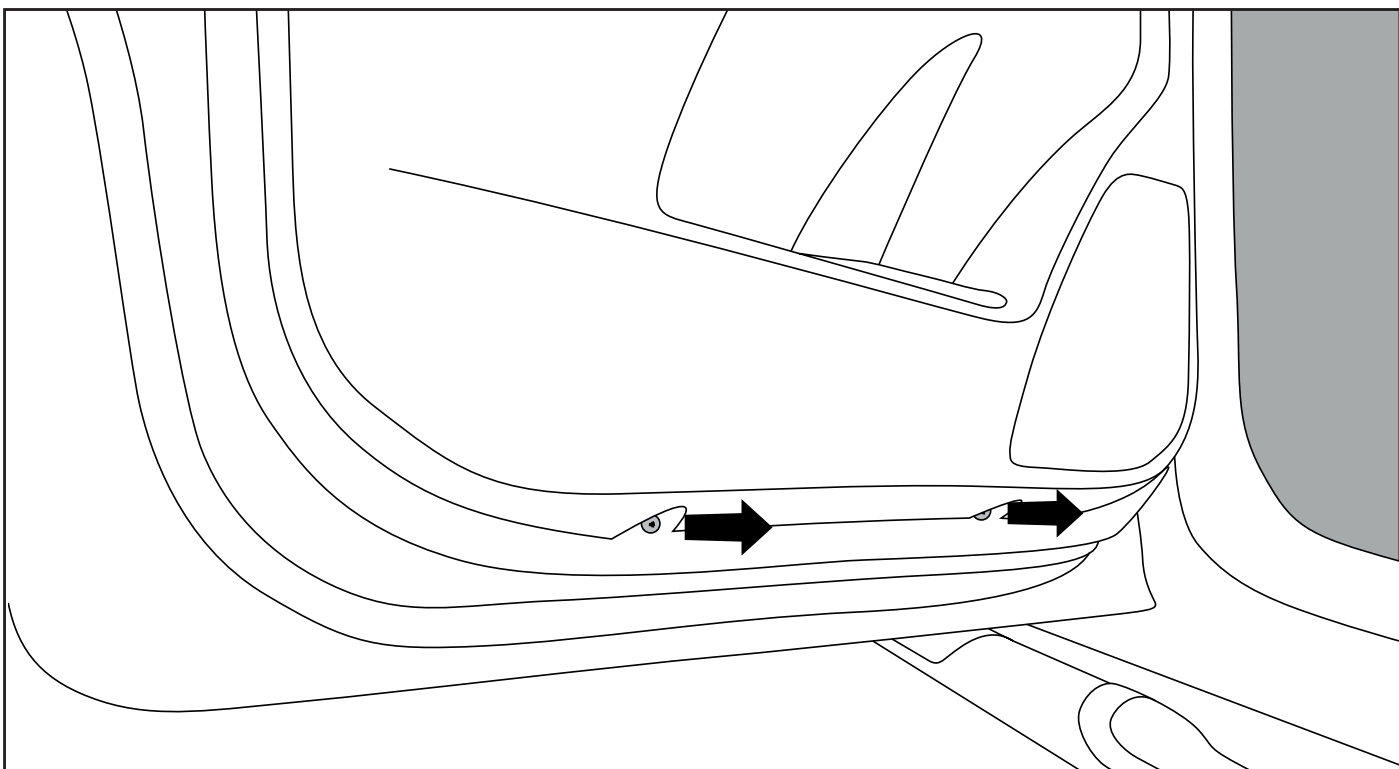


18. Remove the cover from behind the door handle by prying it from the edge using a flat head jewellers screwdriver.

Removal of Door Cards (Rear)

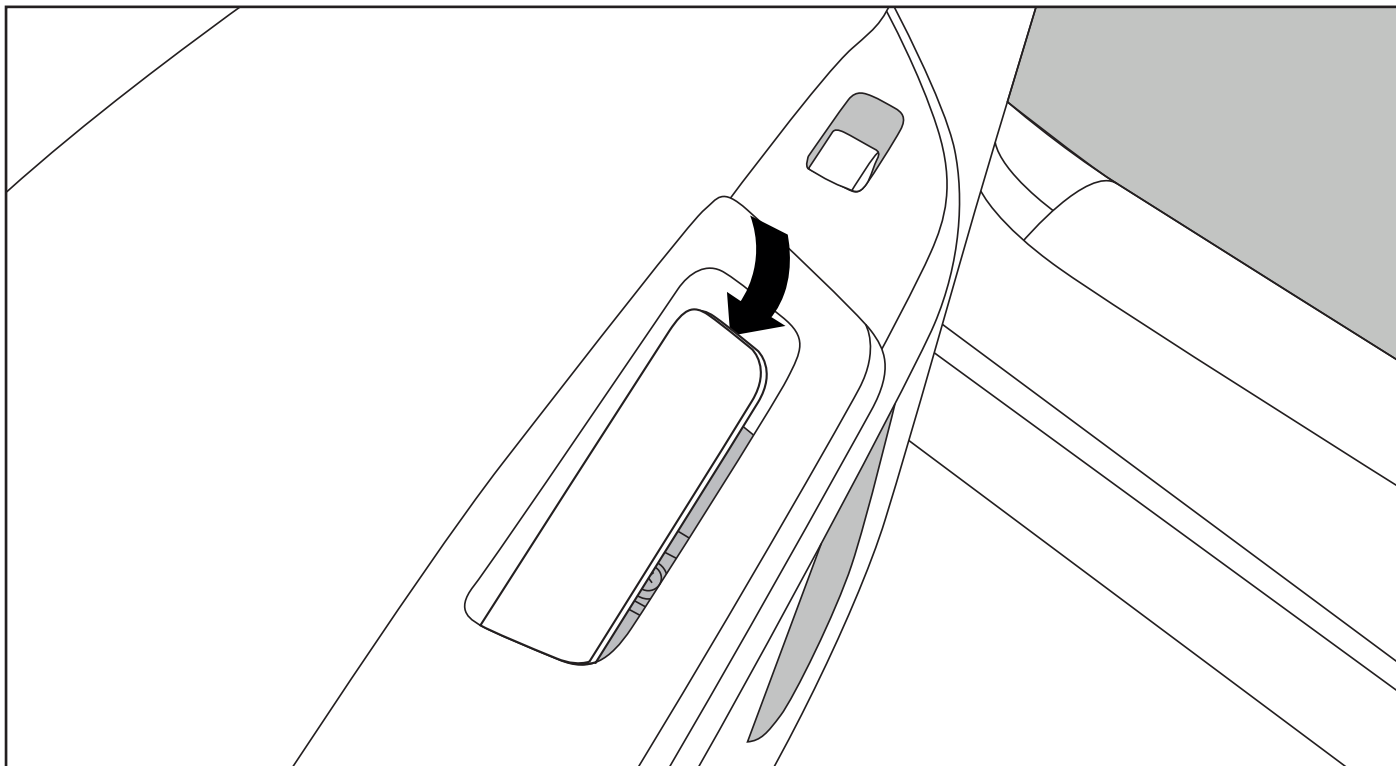


19. Unscrew the T15 Torx screw with a T15 torx bit/ screwdriver.

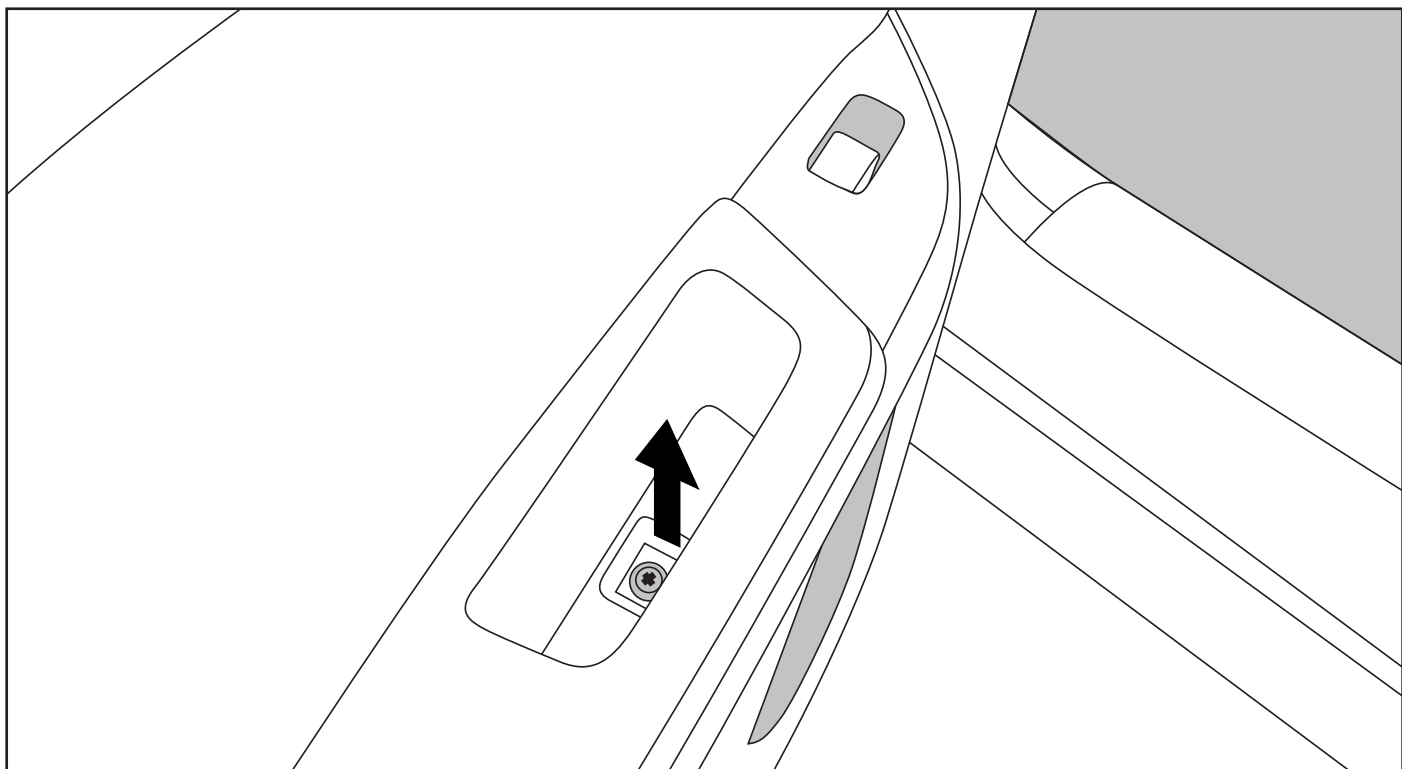


20. Unscrew the 2 domed phillips-head screws holding in the bottom of the door card with a PH2 screwdriver.

Removal of Door Cards (Rear)

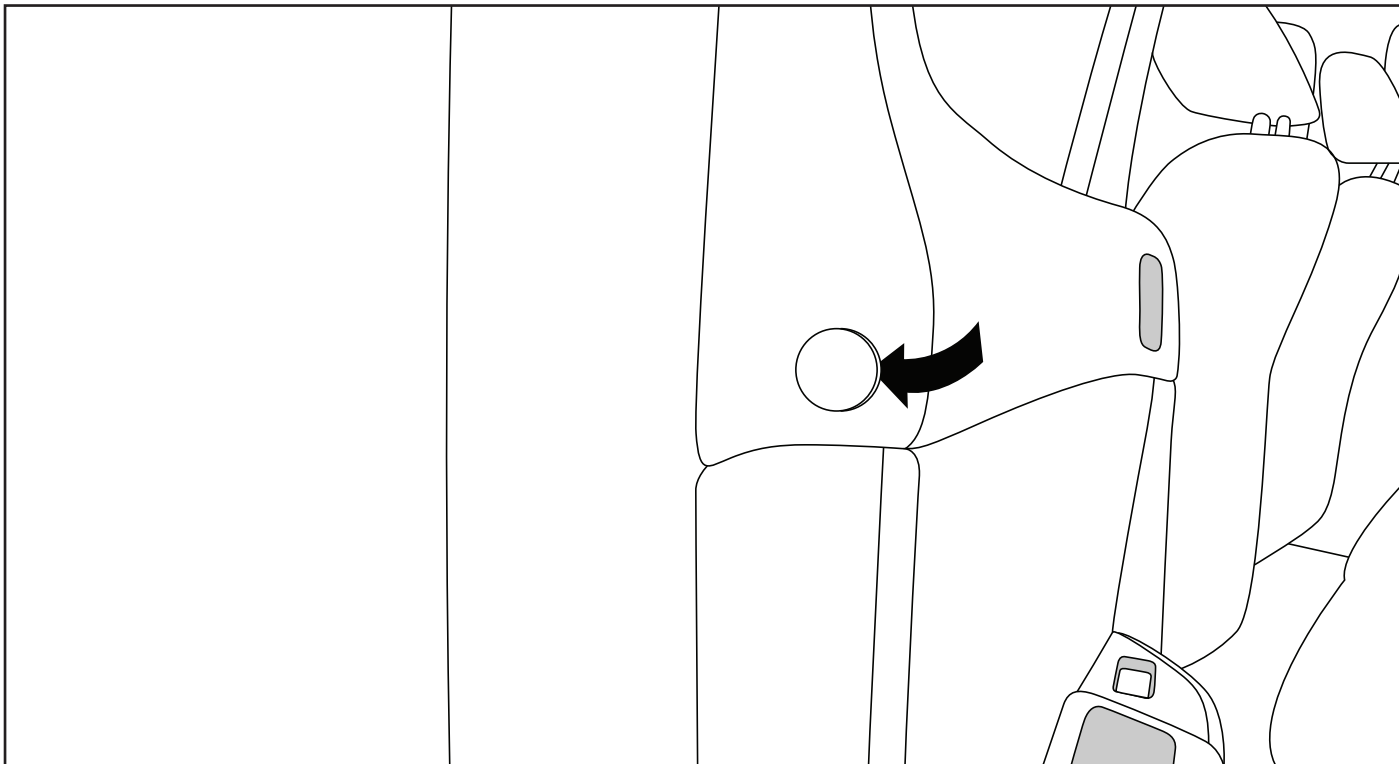


21. Remove the cover inside the pocket of the door card to expose the flat phillips head screw

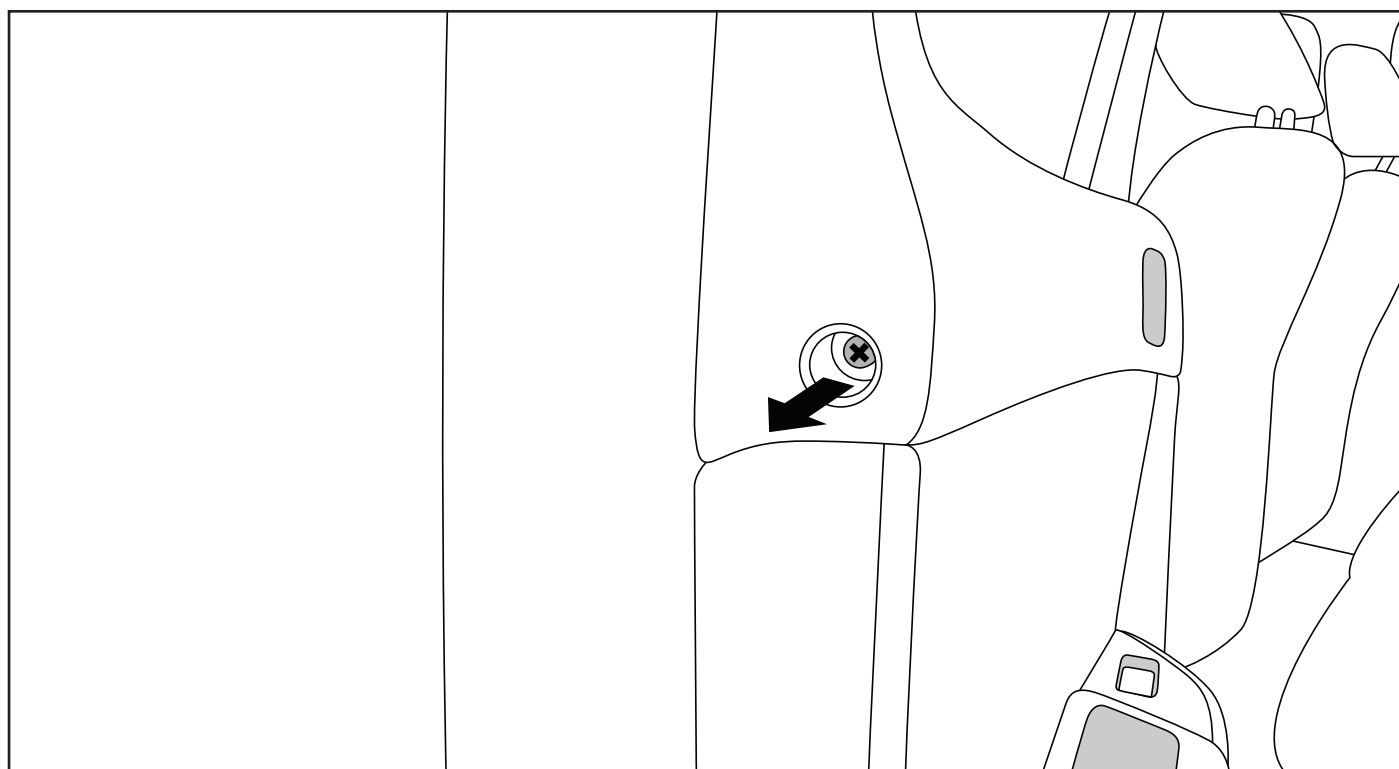


22. Unscrew the bevel phillips-head screw inside the pocket of the door card.

Removal of Door Cards (Rear)

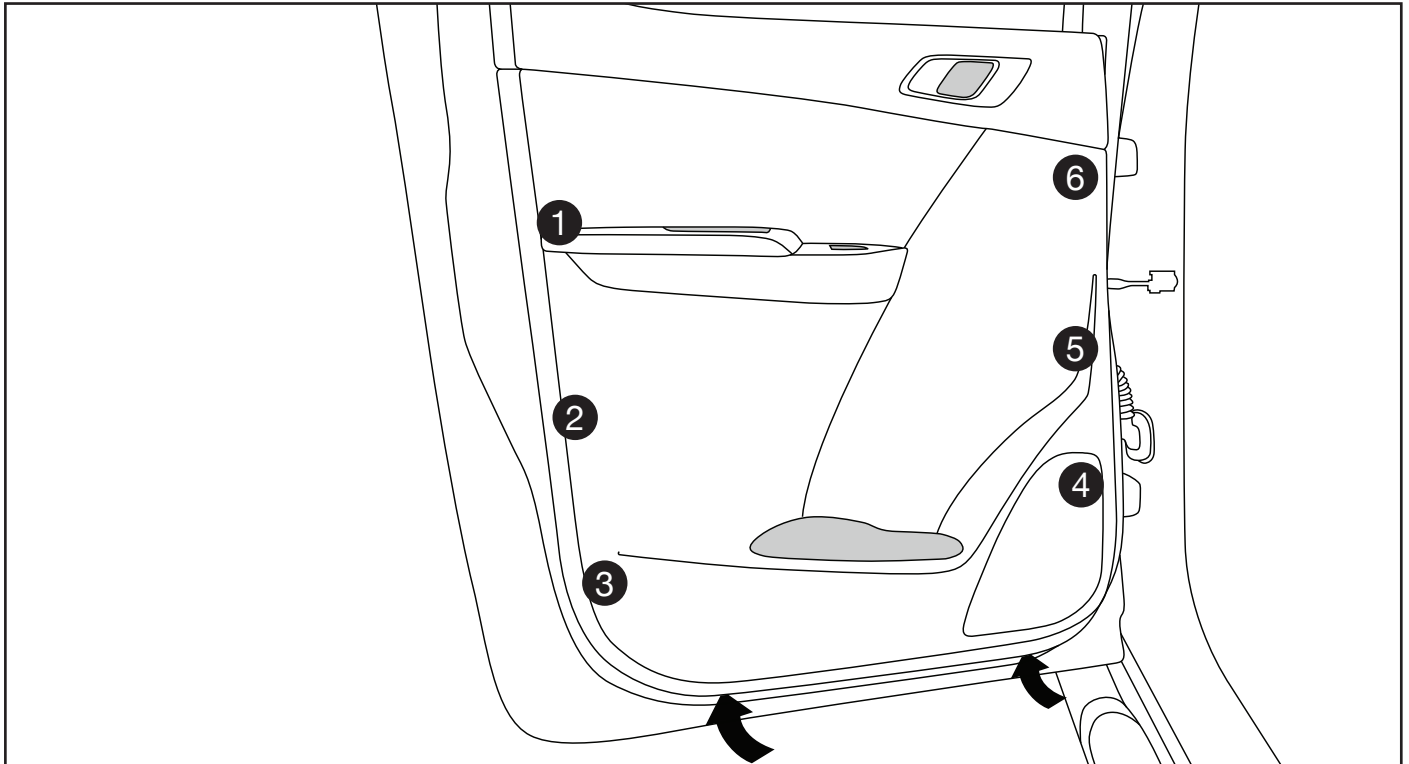


23. Remove the cover on the end of the door card with a jewellers flat head screw driver to expose a phillips head screw.

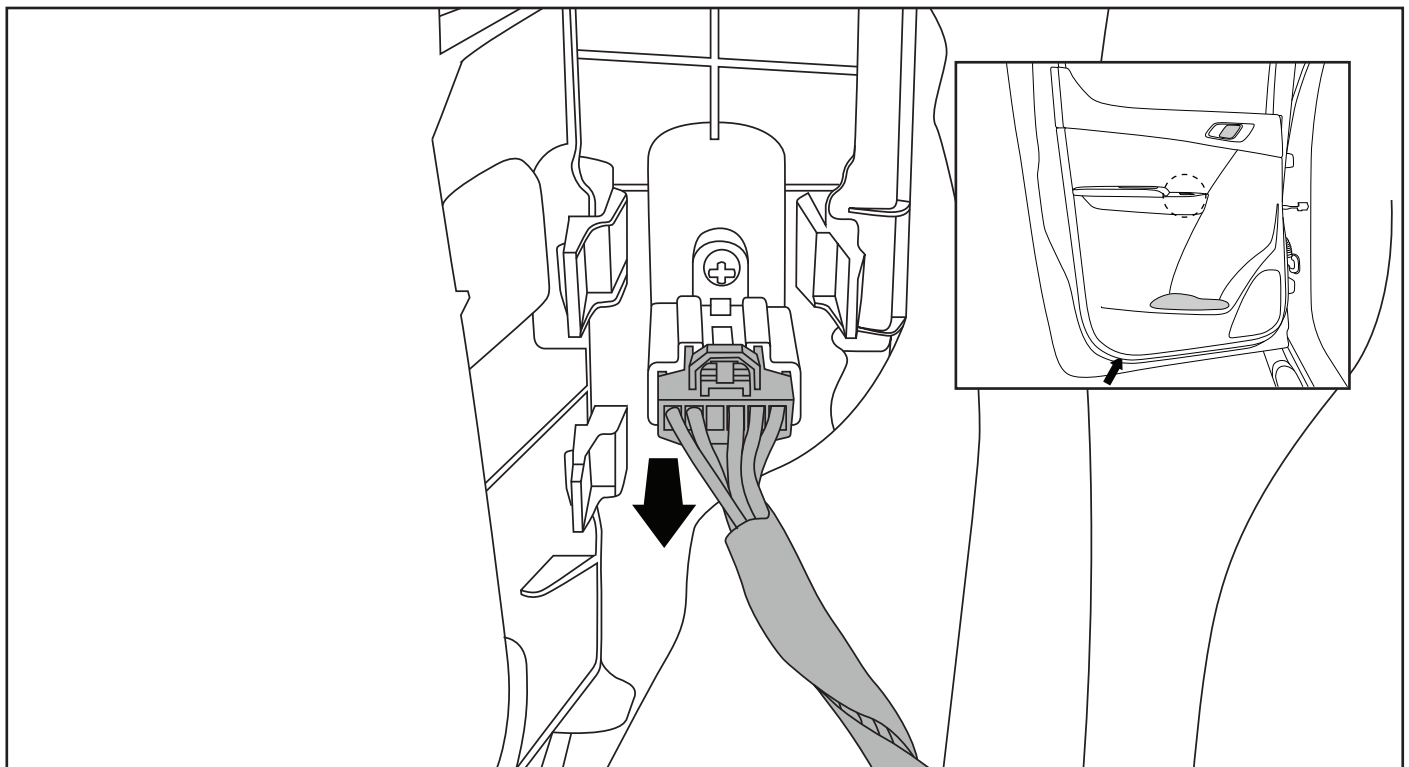


24. Using the PH2 screw driver, remove the phillips-head screw from the door card.

Removal of Door Cards (Rear)

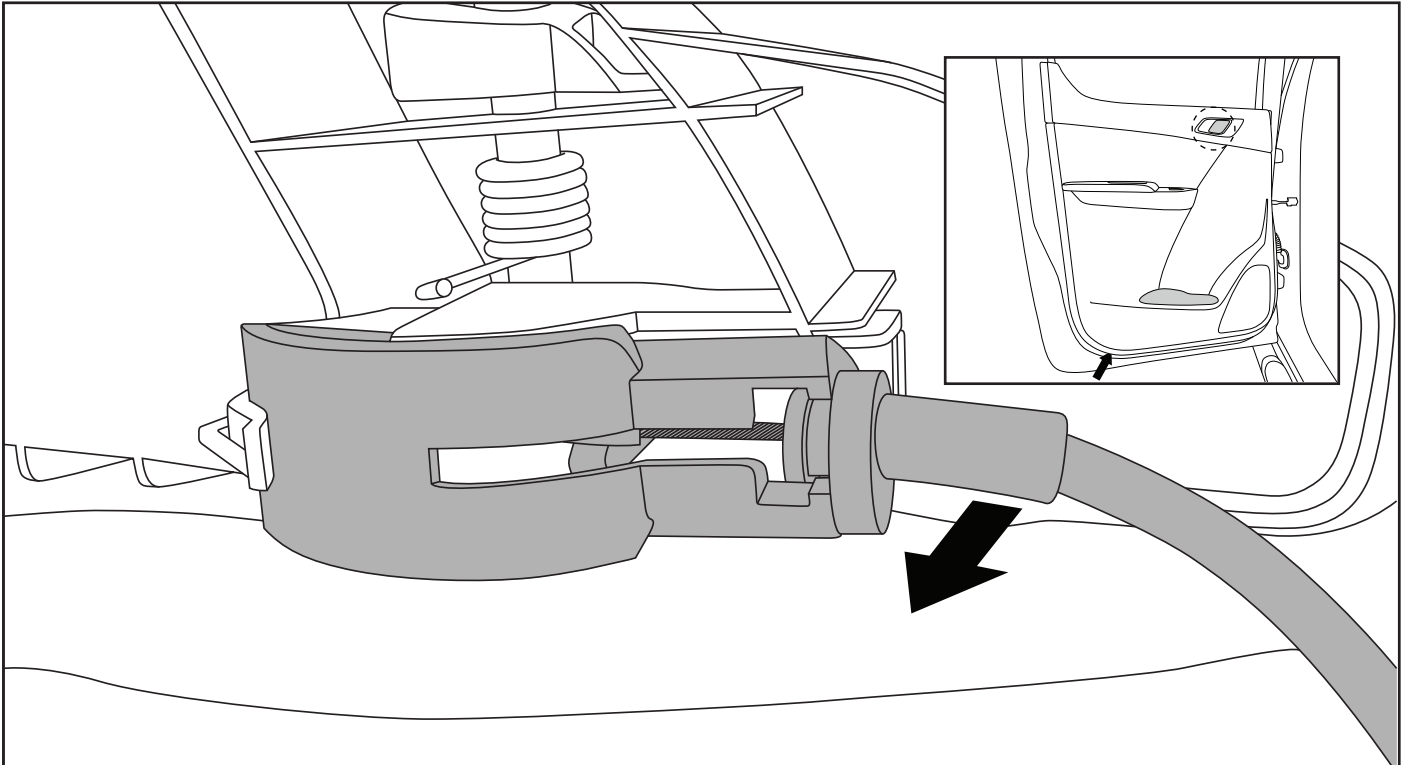


25. Starting at the bottom of the door card, pull it away from the door at the respective clipping points indicated by numbers 1-6.
Keep the door card hanging from the top edge of the door.

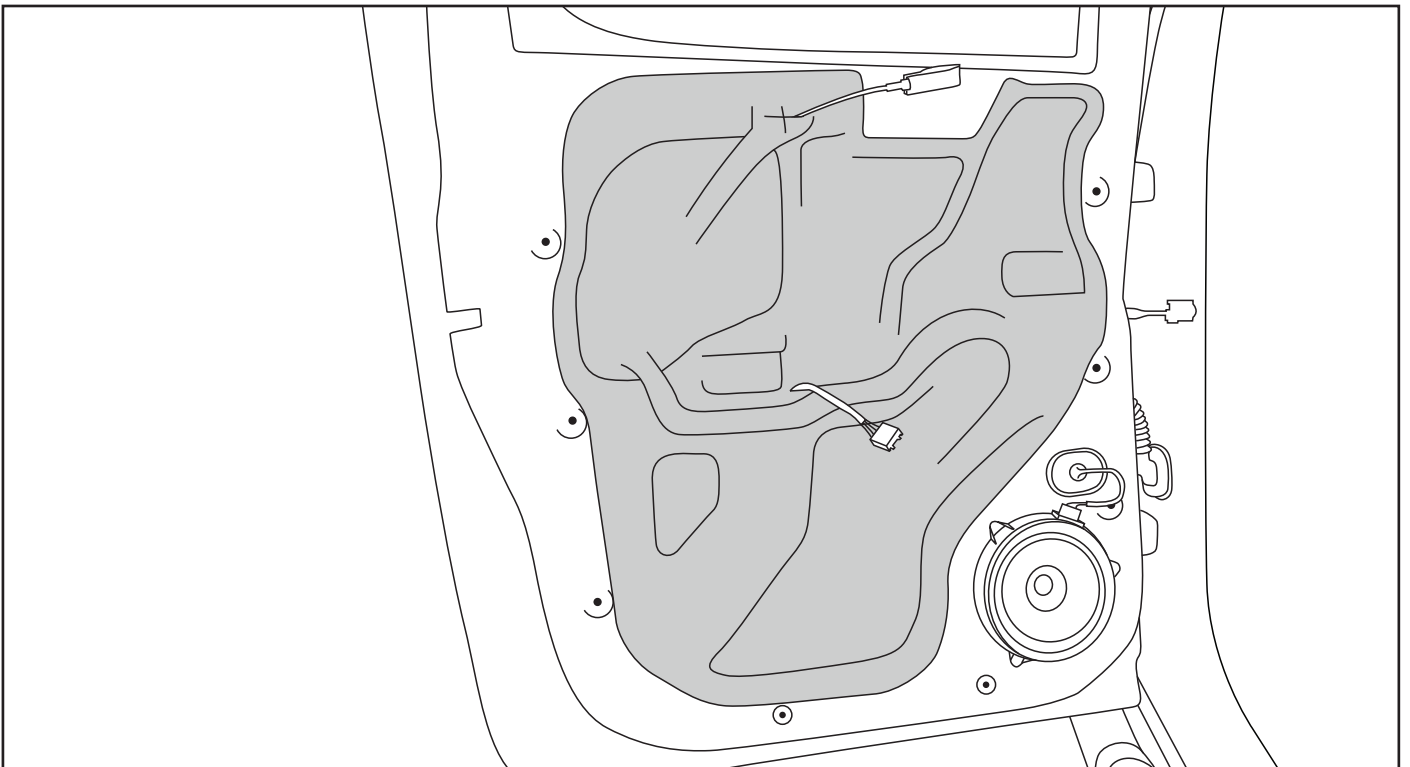


26. With the door card still hanging from the top edge, unclip the window switch connector reaching from the bottom of the door card and releasing it from the switch.

Removal of Door Cards (Rear)

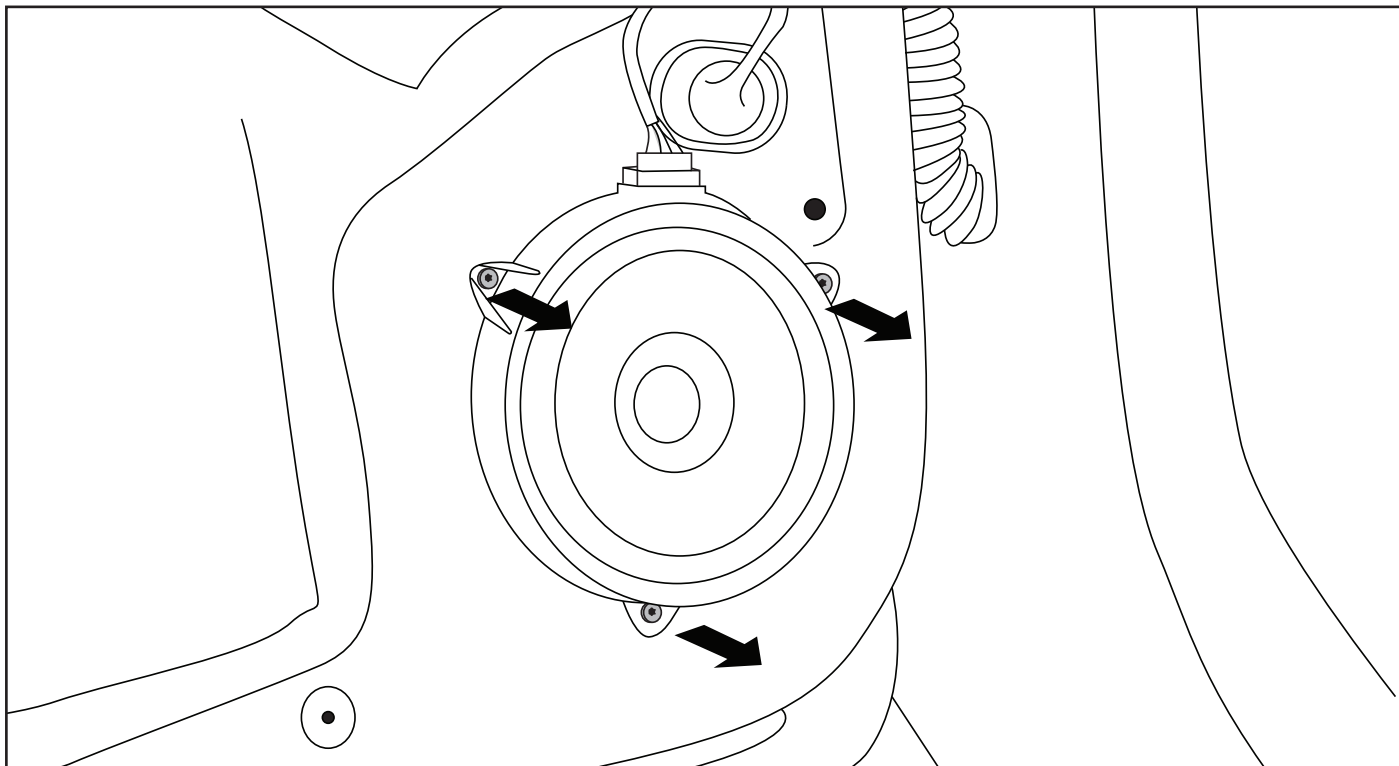


27. With the door card still hanging from the top edge, disconnect the door handle mechanism by reaching from the bottom of the door card and pulling it away from the door card.

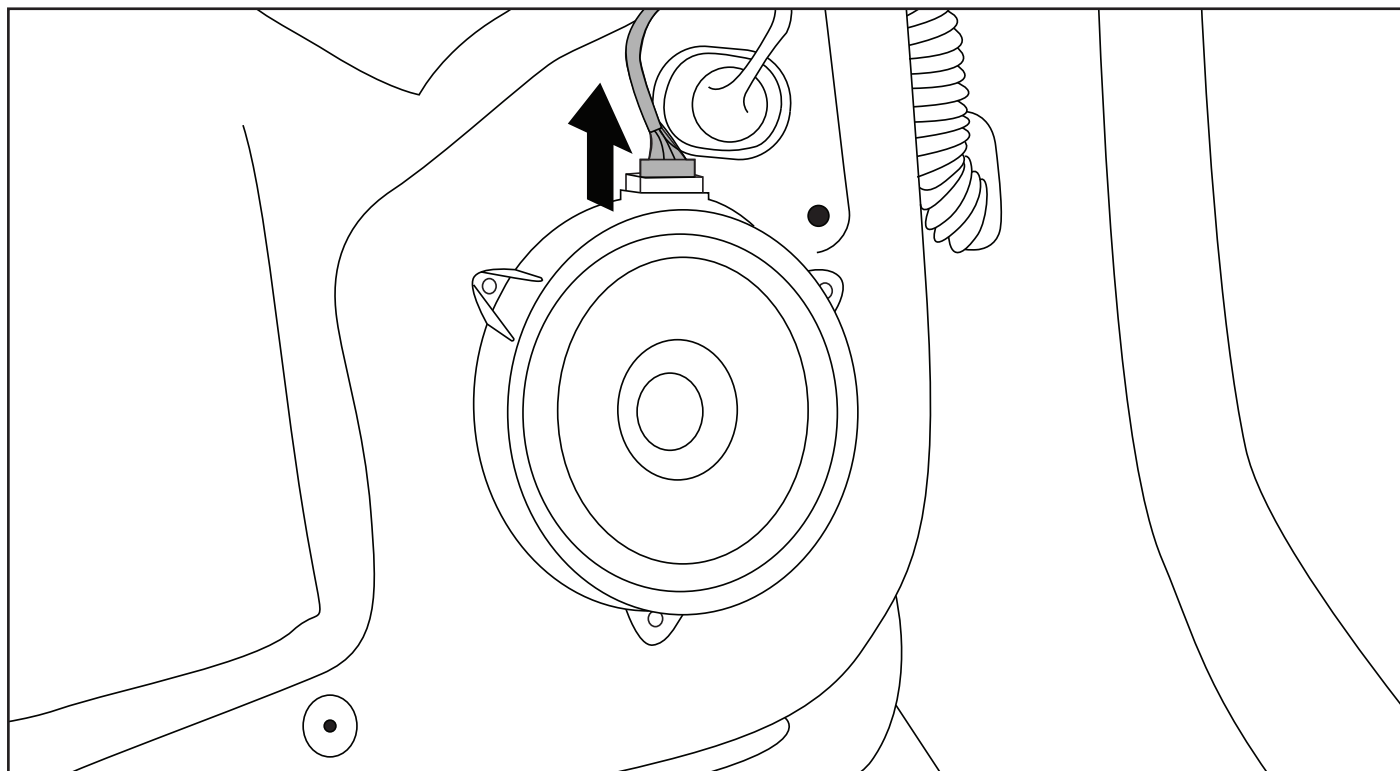


28. Slide the door card up to un-hinge it and remove it from the door once all clips and connectors are removed.

Removal of Speakers (Rear)

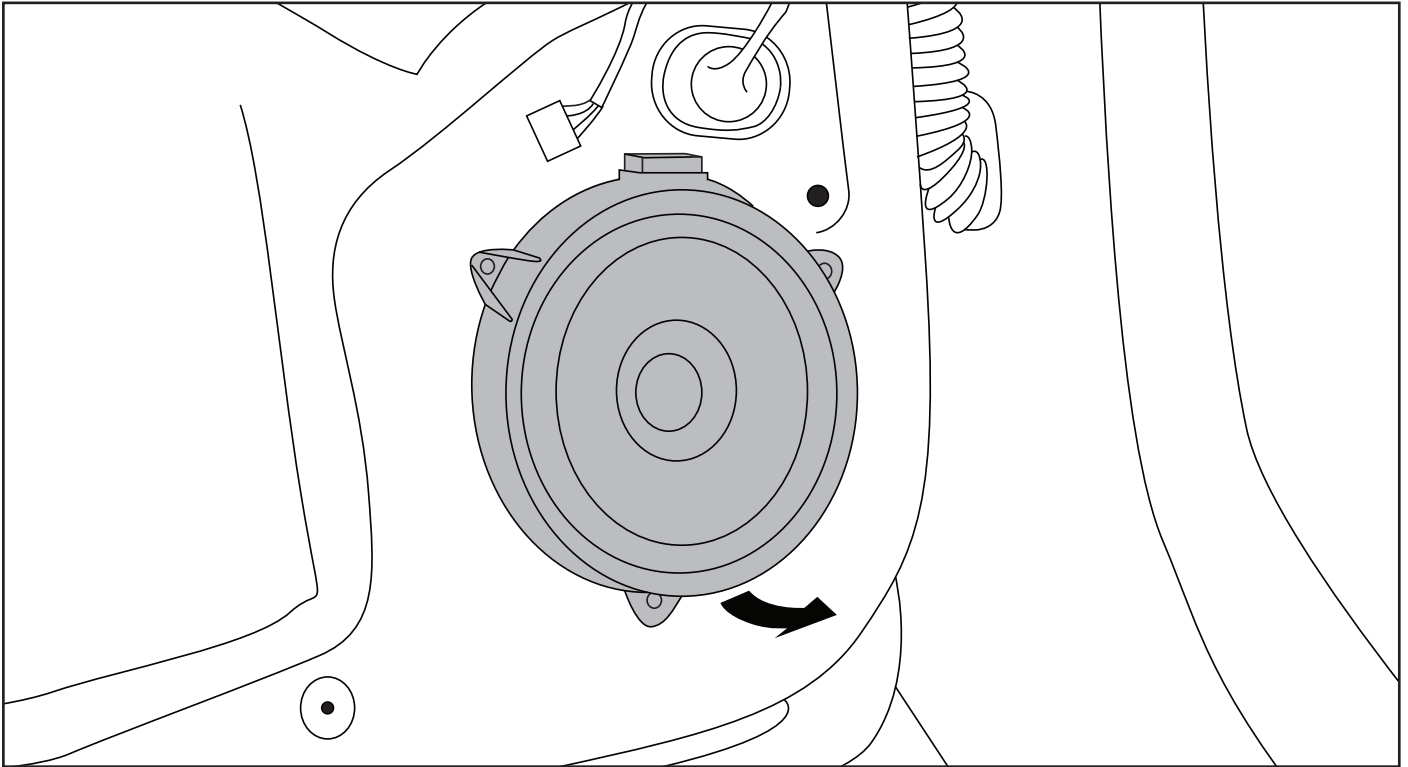


29. Unscrew the 3 T15 Torx Screws holding the factory speaker assembly in place. Retain the screws for the installation of Alpine speakers



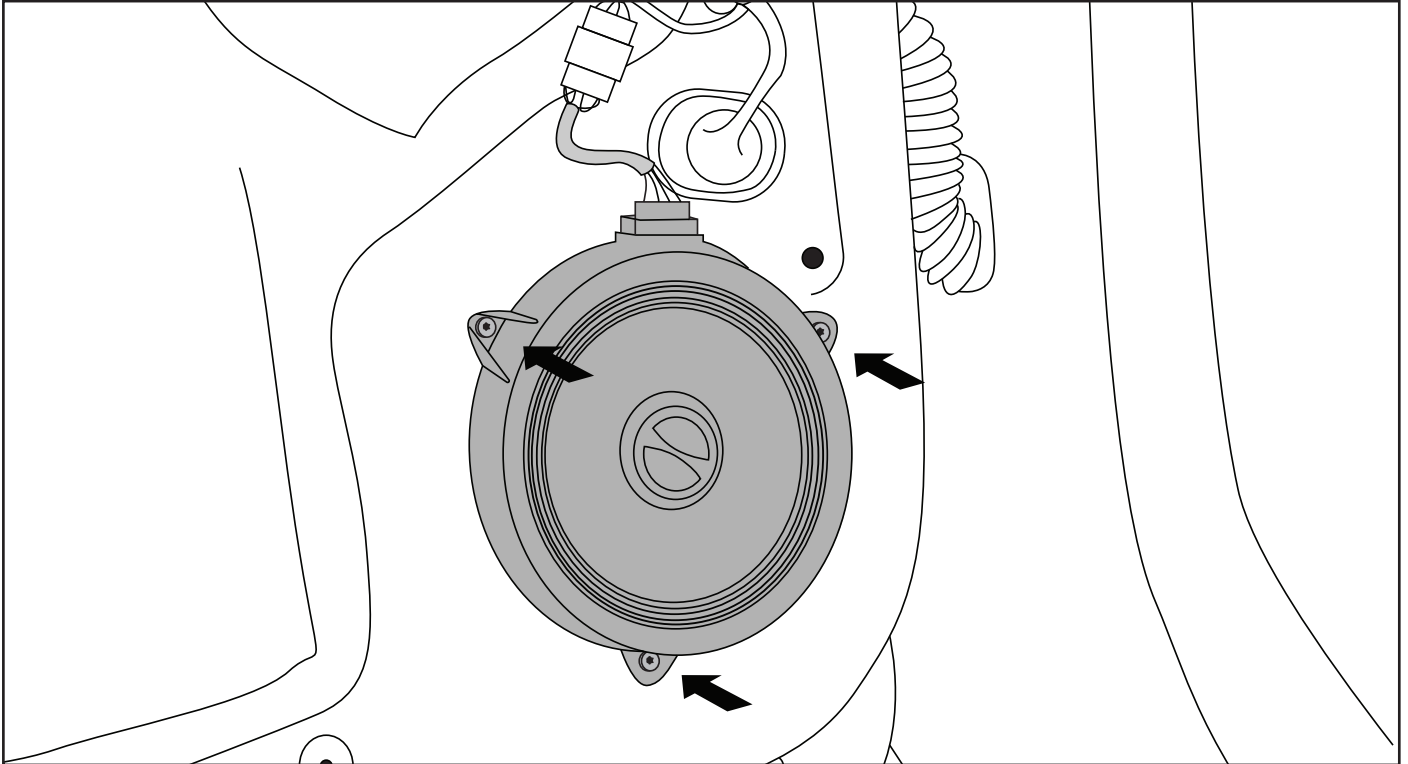
30. Unplug the speaker wiring connector from the speaker assembly.

Removal of Speakers (Rear)

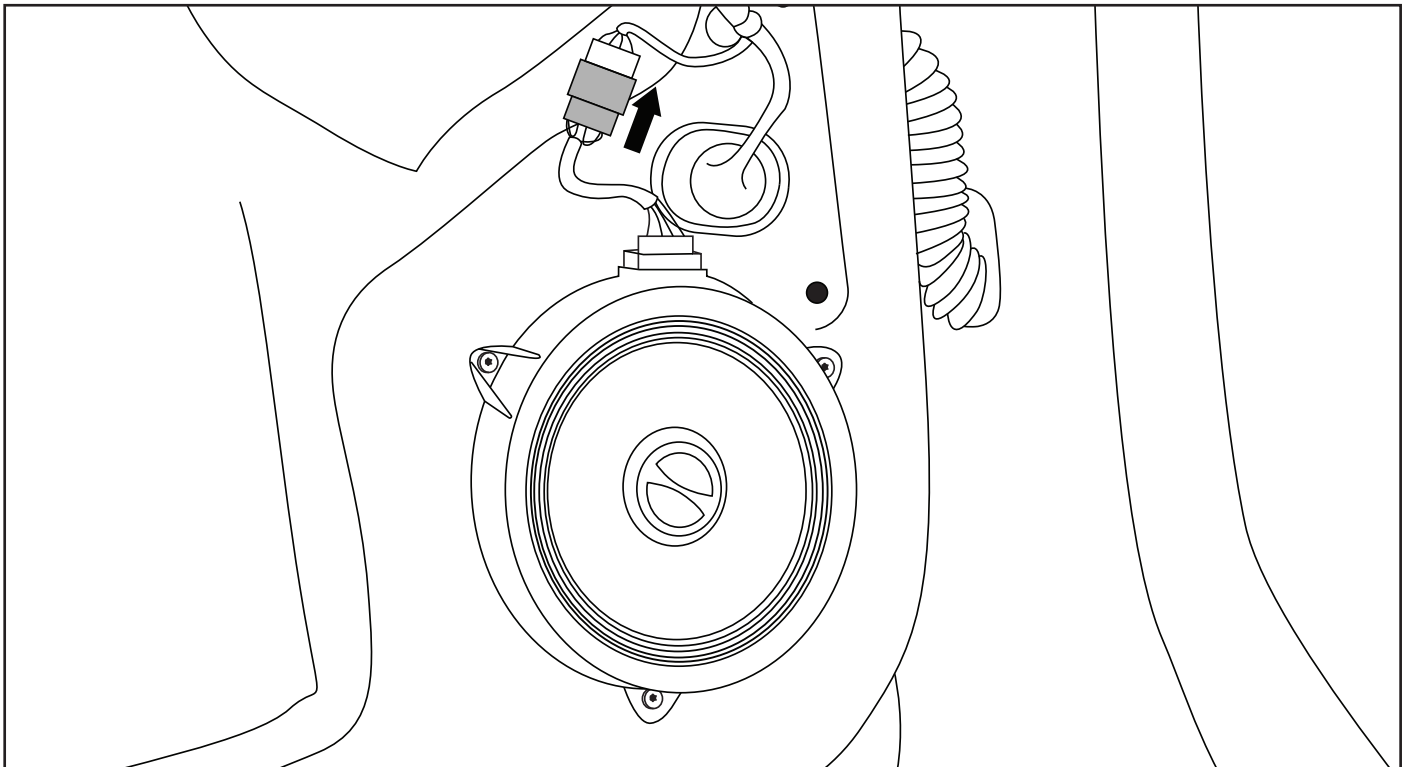


31. Remove the speaker by levering it out from the bottom to release the clip holding it into the door.

Installation of Alpine Speakers (Rear)

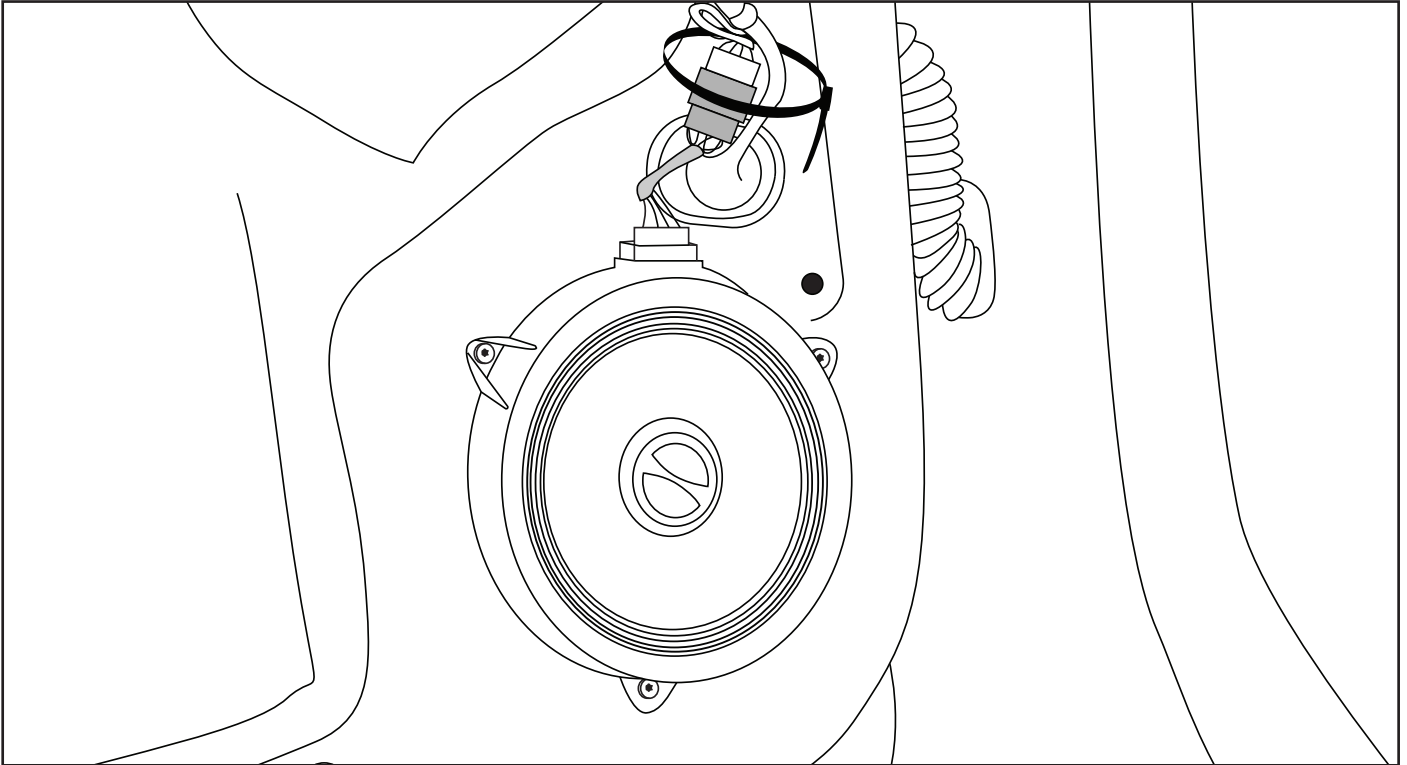


32. Re-install the 3 T15 mounting screws to secure the Alpine speaker assembly to the door.



33. Plug the Alpine speaker assembly into the factory speaker connector and wrap a foam adhesive pad around the connection.

Installation of Alpine Speakers (Rear)

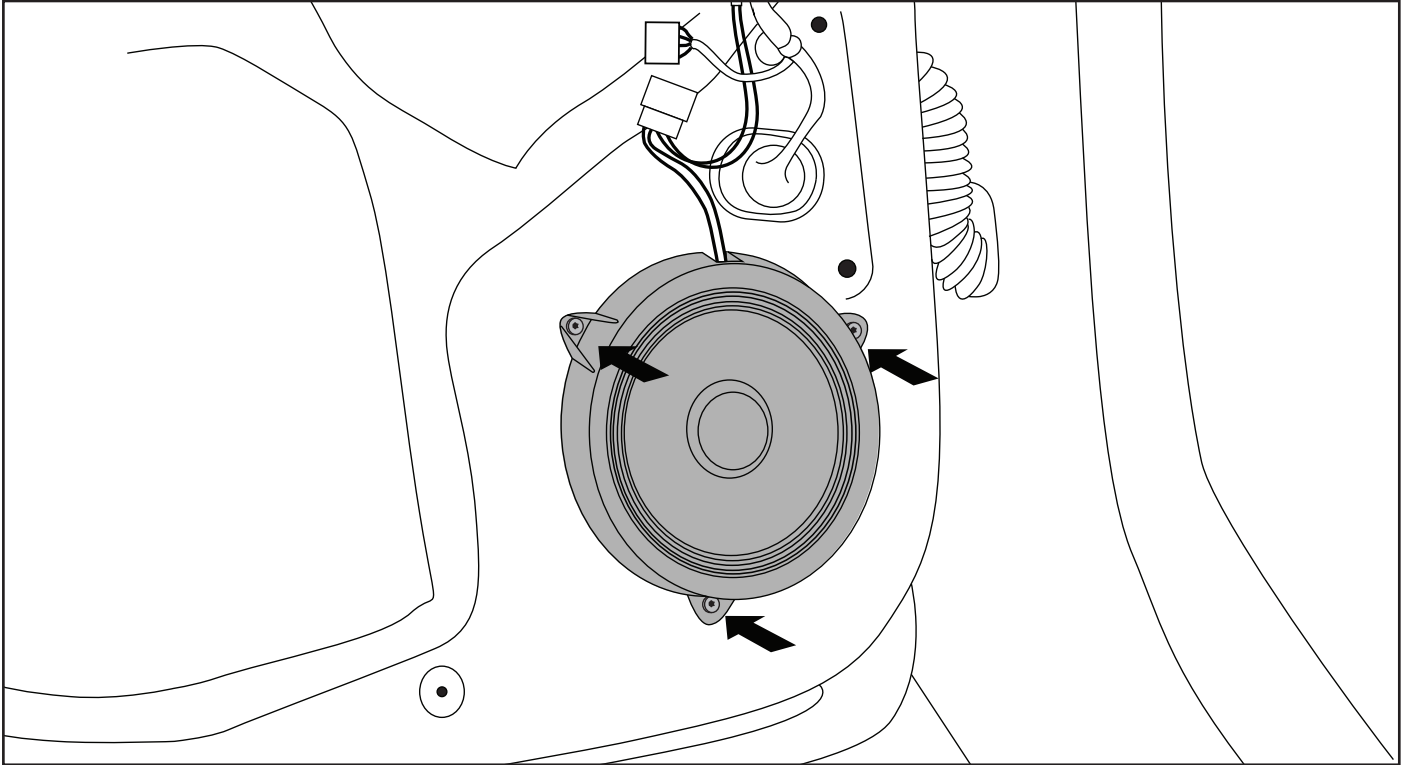


34. Cable tie the newly connected male and female plugs to the factory wiring from the rubber grommet and cut the excess tie.

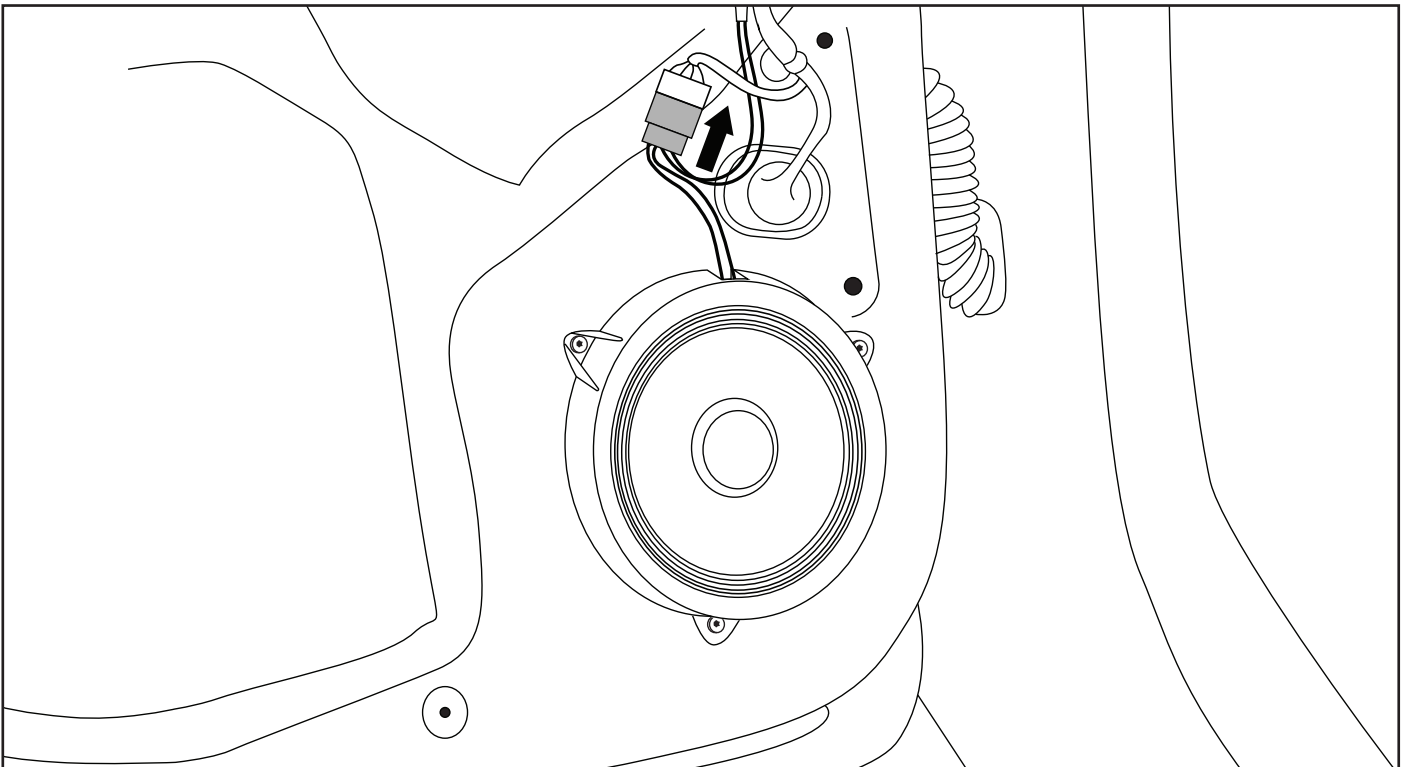
28 - 17

35 Follow the 'Removal of Door Cards (Rear)' in reverse order to re-install the door cards.

Installation of Alpine Speakers (Front)

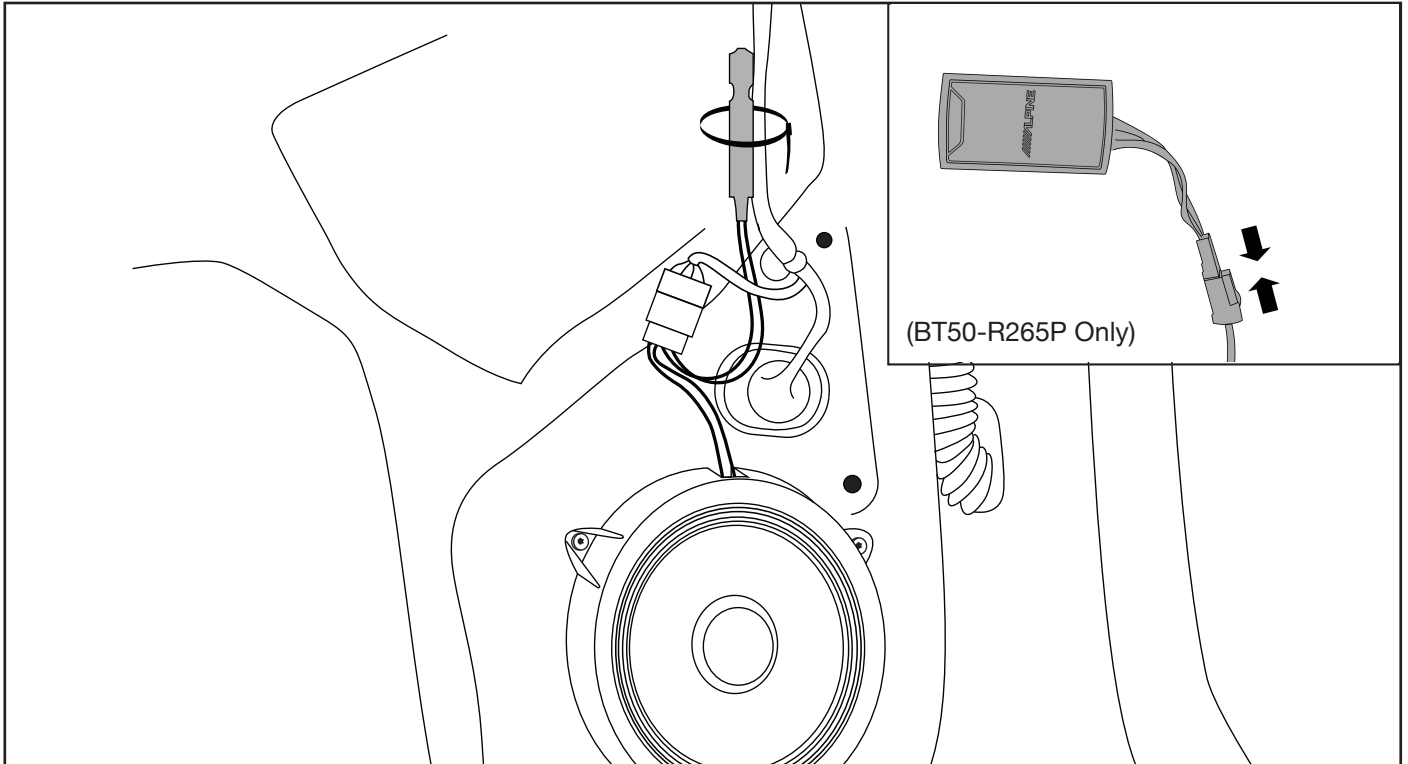


36. Re-install the 3 T15 mounting screws to secure the Alpine speaker assembly to the door.



37. Plug the Alpine speaker assembly into the factory speaker connector and wrap a foam adhesive pad around the connection.

Installation of Alpine Speakers (Front)

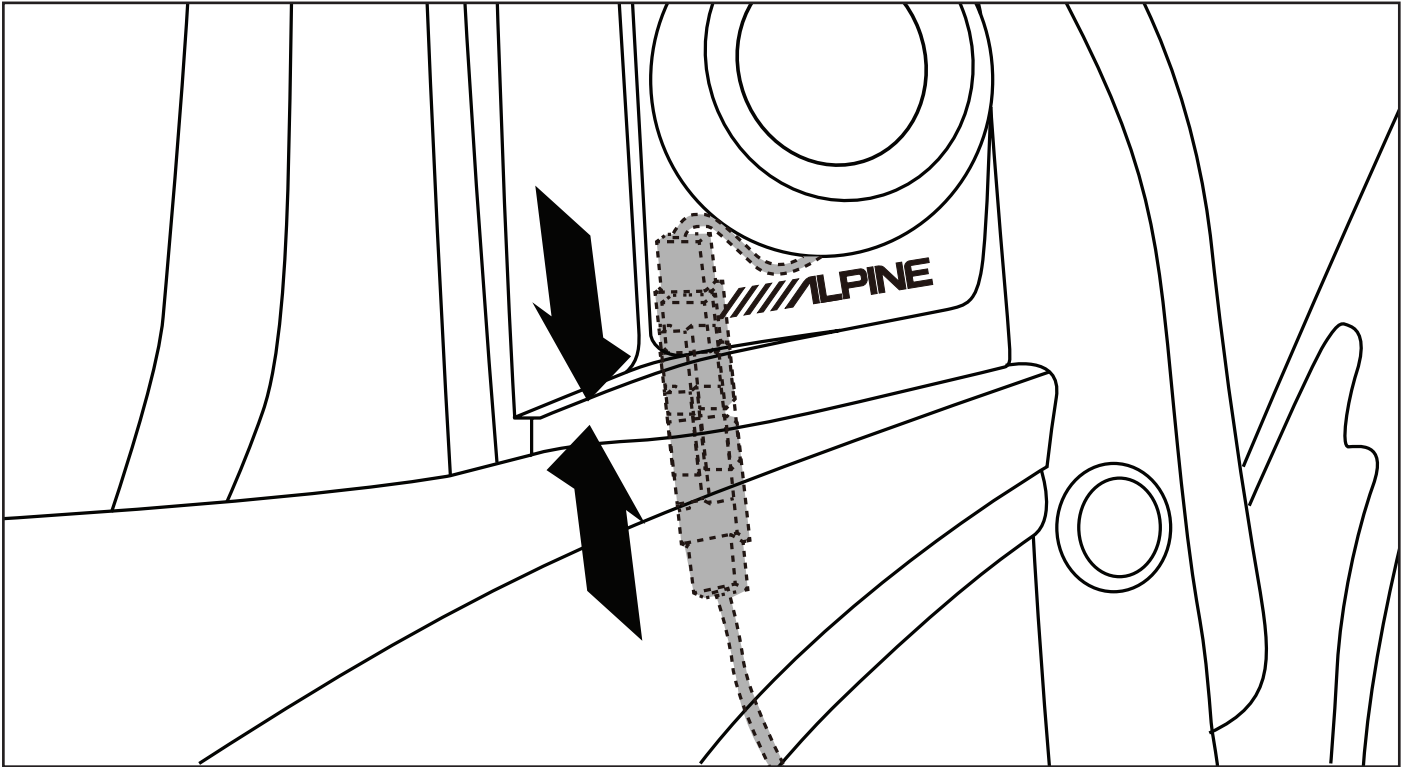


38. (For BT50-R265P Kits connect the provided crossover as shown in top right.) Cable tie the crossover to the existing factory loom above the grommet and cut the excess tie.

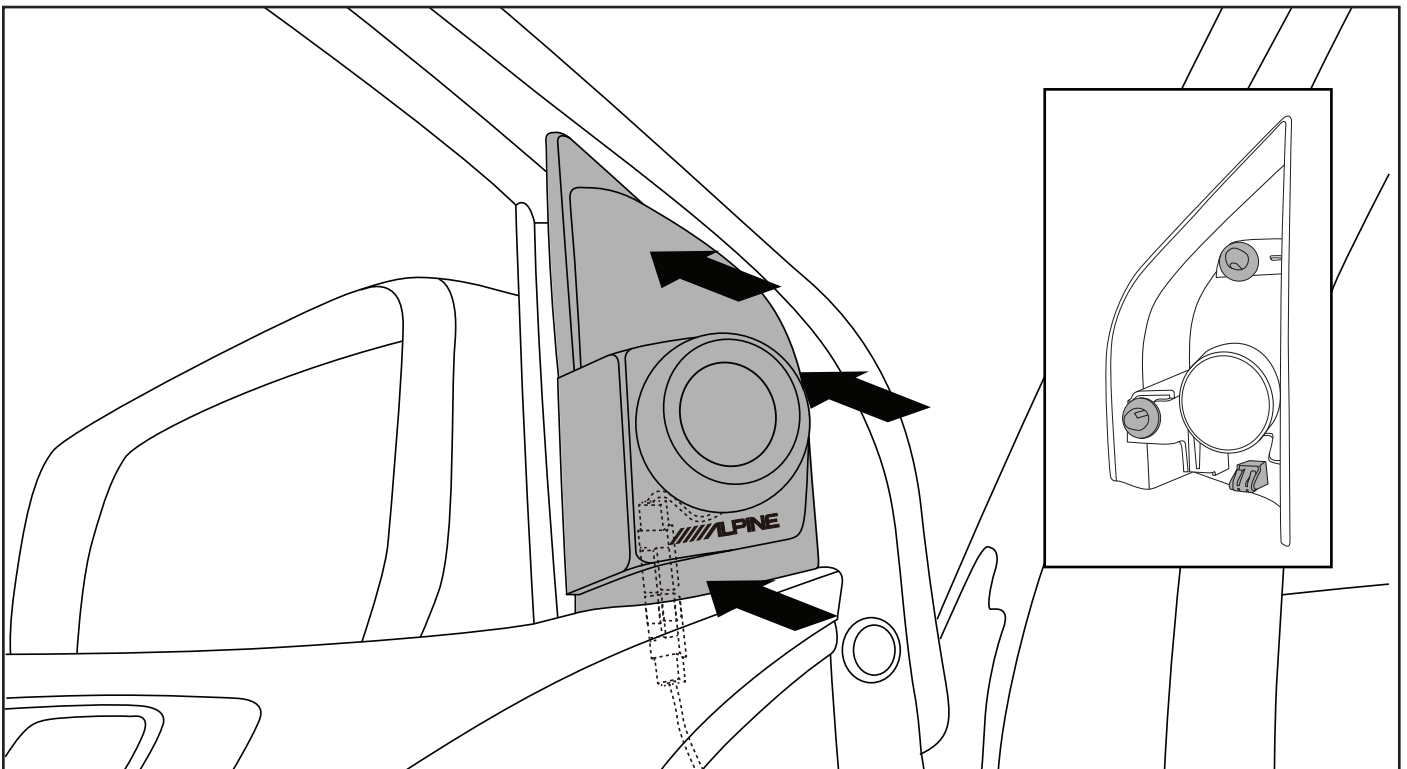
13 - 10

39 Follow the 'Removal of Door Cards (Front)' in reverse order to re-install the door cards.

Installation of Alpine Speakers (Front)



40. Connect the Alpine tweeter assembly to the factory tweeter connector and wrap a foam adhesive pad around the connection.



41. Insert the assembly by pushing into the clipping locations.

