

***ALPINE STYLE***

## **ALPINE STYLE LED WORKLIGHTS LXR-AM3/AM4 Owner's Manual**

**ALPS ALPINE NORTH AMERICA, INC.**

1500 Atlantic Blvd,  
Auburn Hills, Michigan 48326, U.S.A.  
Phone 1-800-ALPINE-1 (1-800-257-4631)

**ALPINE ELECTRONICS OF AUSTRALIA PTY. LIMITED**

161-165 Princes Highway,  
Hallam Victoria 3803, Australia  
Phone 03-8787-1200

**ALPS ALPINE EUROPE GmbH**

Ohmstrasse 4, 85716 Unterschleissheim, Germany  
Phone: +49 (0) 89-32 42 640  
For contact information on your respective country,  
please visit [www.alpine-europe.com](http://www.alpine-europe.com).

**ALPS ALPINE EUROPE GmbH**

Aurora House, Deltic Avenue  
Rooksley, Milton Keynes, MK13 8LW  
United Kingdom  
Phone: 0345-313-1640

**ALPS ALPINE ASIA CO., LTD.**

The 9th Towers, Tower B, 24th Floor, Unit TNB01-03,  
33/4 Rama 9 road, Huay Kwang, Bangkok, 10310, Thailand  
Phone +66 (2) 090 9596

**ALPINE ELECTRONICS MARKETING, INC.**

1-7, Yukigaya-Otsukamachi, Ota-ku,  
Tokyo 145-0067, JAPAN  
Phone: 03-5499-4531

# Safety Information

**Warning!** Do not install and/or operate this product until you have read and understood the information in this user manual.



## Warning

Follow the warnings below carefully to prevent incidents, such as fires, explosions, injuries or damage.



## Warning

- Install the product so that it fully complies with local vehicle regulations requirements or National Vehicle Standards as applicable.
- The user is responsible for ensuring correct installation, positioning, and use of the product. Alpine will not accept any liability for damages or penalties resulting from incorrect installation, positioning, or use of this product.
- Alpine will not accept any liability for damages or penalties resulting from non-compliance with information provided in this user manual.
- Do not use the product on public roads unless permitted by law.

### **HAVE THE WIRING AND INSTALLATION DONE BY EXPERTS.**

The wiring and installation of this unit requires special technical skill and experience. To ensure safety, always contact the dealer where you purchased this product to have the work done.

### **USE SPECIFIED ACCESSORY PARTS AND INSTALL THEM SECURELY.**

Be sure to use only the specified accessory parts. Use of other than designated parts may damage this unit internally or may not securely install the unit in place. This may cause parts to become loose resulting in hazards or product failure.

---

**BEFORE WIRING, DISCONNECT THE CABLE FROM THE NEGATIVE BATTERY TERMINAL.**

Failure to do so may result in electric shock or injury due to electrical shorts.

---

**DO NOT USE BOLTS OR NUTS IN THE BRAKE OR STEERING SYSTEMS TO MAKE GROUND CONNECTIONS.**

Bolts or nuts used for the brake or steering systems (or any other safety related system), or tanks should NEVER be used for installations or ground connections. Using such parts could disable control of the vehicle and cause fire etc.

---

**DO NOT INSTALL IN LOCATIONS WHICH MIGHT HINDER VEHICLE OPERATION, SUCH AS THE STEERING WHEEL OR SHIFT LEVER.**

Doing so may obstruct forward vision or hamper movement etc. and results in serious accident.

---

**USE THE CORRECT AMPERE RATING WHEN REPLACING FUSES.**

Failure to do so may result in fire or electric shock.

---

**DO NOT ALLOW CABLES TO BECOME ENTANGLED IN SURROUNDING OBJECTS.**

Arrange wiring and cables in compliance with the manual to prevent obstructions when driving. Cables or wiring that obstruct or hang up on places such as the steering wheel, gear lever, brake pedals, etc. can be extremely hazardous.

---

**DO NOT SPLICE INTO ELECTRICAL CABLES.**

Never cut away cable insulation to supply power to other equipment. Doing so will exceed the current carrying capacity of the wire and result in fire or electric shock.

---

**DO NOT DISASSEMBLE OR ALTER THE PRODUCT.**

Doing so may result in an accident, fire or electric shock.

---

**KEEP SMALL OBJECTS SUCH AS SCREWS OUT OF THE REACH OF CHILDREN.**

Swallowing them may result in serious injury. If swallowed, consult a physician or emergency services immediately.

---

**DO NOT DAMAGE FUEL LINES OR WIRING WHEN DRILLING HOLES.**

When drilling holes in the chassis for installation, take precautions so as not to contact, damage or obstruct critical components, fuel lines, tanks or electrical wiring. Failure to take such precautions may result in fire.

# Getting Started

---

## Product Contents

---

Each Alpine Style worklight includes:

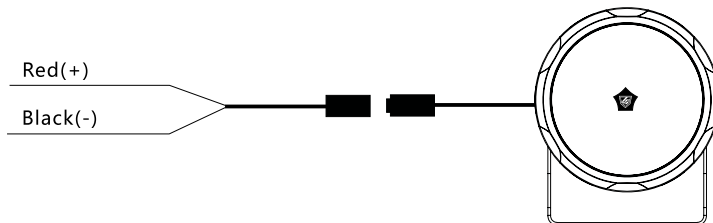
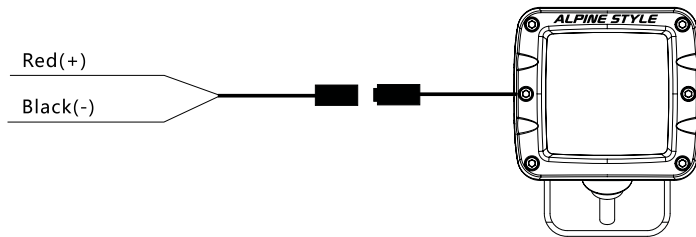
- 1 x LXR-AM3 -or- LXR-AM4
- 1 x Wiring Connector
- 1 x Gloss Black Alpine Style Light Cover
- 1 x Mounting Bracket

---

## Wiring Diagram

---

Always follow local regulations for wiring when installing lighting systems.



# General Care

---

## General Cleaning & Care Instructions

---

It is recommended to use a mild or PH neutral soap with warm water to gently wash light systems. Do not use aggressive chemicals, solvents or acidic solutions as this may cause damage to the weather seals, lens and housing paintwork.

Do not directly spray with high pressure washer, keep the nozzle at a distance of at least 30cm to avoid damage.

# Specifications

---

## LXR-AM3 / LXR-AM4 Specifications

---

**Size:** 3-Inch / 4-Inch

**Raw Lumen Output:** 4416lm / 2700lm

**Colour Temperature:** 5700K / 6000K

**LED Module Lifespan:** Up to 50,000 Hours

**Operating Voltage:** 10-30V DC

**Power Consumption:** 27W / 19.8W

**1 Lux Distance:** 173m / 311m

# Warranty

---

## Warranty

---

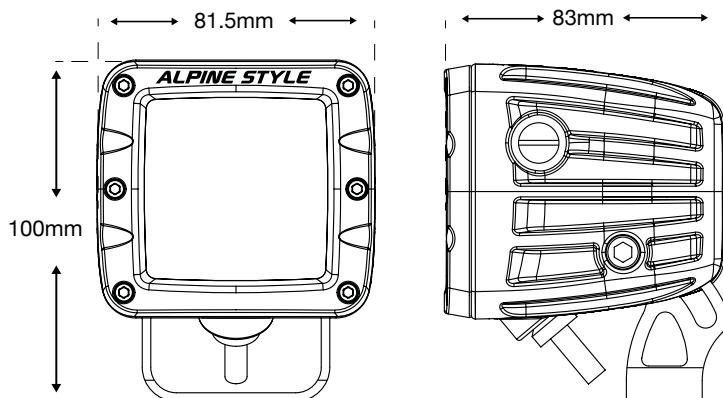
Our goods come with guarantees that cannot be excluded under the Australian Consumer Law.

For more information on our warranty policy, see:  
<https://www.alpine.com.au/support/terms-of-use/>

# Dimensions

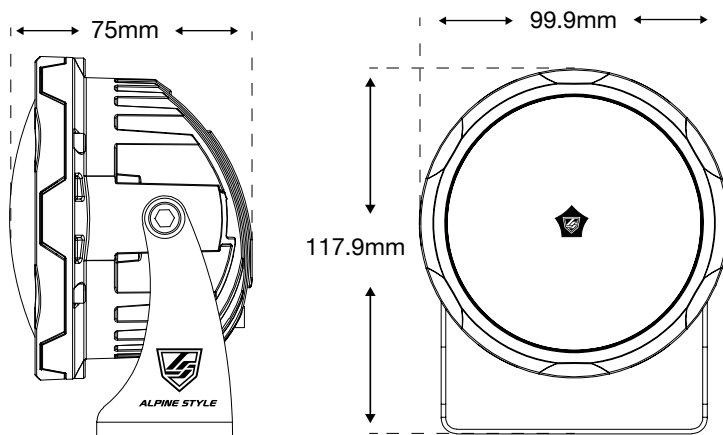
## LXR-AM3 Dimensions

Refer to the below diagram for LXR-AM3 dimensions.



## LXR-AM4 Dimensions

Refer to the below diagram for LXR-AM4 dimensions.





**ALPINE ELECTRONICS OF AUSTRALIA PTY., LTD.**

161-165 Princes Highway,  
Hallam, Victoria, 3803, Australia  
[www.alpine.com.au](http://www.alpine.com.au)