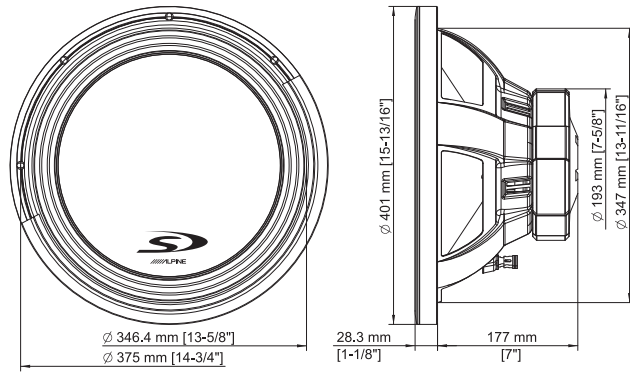
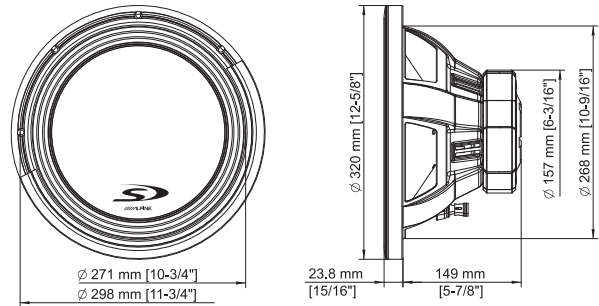


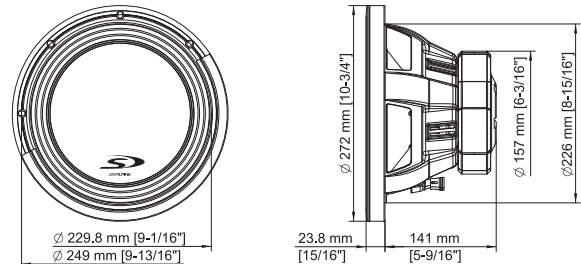
SWS-15D2
SWS-15D4



SWS-12D2
SWS-12D4



SWS-10D2
SWS-10D4



TYPE-S SUBWOOFER HAUT-PARLEUR D'EXTRÊMES GRAVES TYPE-S APPLICATION GUIDE GUIDE D' APPLICATION

SWS-15D4

15 Inch Dual Voice Coil Subwoofer (4Ω)+(4Ω)
Haut-parleur d'extrêmes graves à double bobine 15 po (4Ω)+(4Ω)

SWS-15D2

15 Inch Dual Voice Coil Subwoofer (2Ω)+(2Ω)
Haut-parleur d'extrêmes graves à double bobine 15 po (2Ω)+(2Ω)

SWS-12D4

12 Inch Dual Voice Coil Subwoofer (4Ω)+(4Ω)
Haut-parleur d'extrêmes graves à double bobine 12 po (4Ω)+(4Ω)

SWS-12D2

12 Inch Dual Voice Coil Subwoofer (2Ω)+(2Ω)
Haut-parleur d'extrêmes graves à double bobine 12 po (2Ω)+(2Ω)

SWS-10D4

10 Inch Dual Voice Coil Subwoofer (4Ω)+(4Ω)
Haut-parleur d'extrêmes graves à double bobine 10 po (4Ω)+(4Ω)

SWS-10D2

10 Inch Dual Voice Coil Subwoofer (2Ω)+(2Ω)
Haut-parleur d'extrêmes graves à double bobine 10 po (2Ω)+(2Ω)



ALPINE ELECTRONICSMARKETING, INC.
1-7 Yukigaya-otsukamachi,
Ota-ku, Tokyo 145-0067, Japan
Tel: (03) 5499-4531

ALPINE ELECTRONICS OF AMERICA, INC.
19145 Gramercy Place, Torrance,
California 90501, U.S.A.
Tel: 1-800-ALPINE-1 (1-800-257-4631)

ALPINE ELECTRONICS OF CANADA, INC.
777 Supertest Road, Toronto,
Ontario M3J 2M9, Canada
Tel: (416) 736-6211

ALPINE ELECTRONICS OF AUSTRALIA PTY. LTD.
161-165 Princes Highway, Hallam
Victoria 3803, Australia
Tel: (03) 8787-1200

ALPINE ELECTRONICS DE ESPAÑA, S.A.
Portal de Gamarra 36, Pabellón 32
01013 Vitoria (Álava), APDO. 133, Spain
Tel: (945) 283-588

ALPINE ELECTRONICS GmbH
Wilhelm-Wagenfele-Straße 1-3
80807 München, Germany
Tel: (089) 324-2640

ALPINE ELECTRONICS (Benelux) GmbH
Leuvensesteenweg 510-B6
1930 Zaventem, Belgium
Tel: 02-7251315

ALPINE ELECTRONICS OF U.K., LTD.
Alpine House Earlplace Business Park,
Fletchamstead Highway, Coventry CV4, 9TW
United Kingdom
Tel: (2476) 719-500

ALPINE ELECTRONICS FRANCE S.A.R.L.
98, Rue de la Belle Etoile, Z.I. Paris Nord,
B.P. 50016, 95945, Roissy Charles de Gaulle
Cédex, France
Tel: (01) 4863-8989

ALPINE ITALIA S.p.A.
Viale C. Colombo 8,
20090 Trezzano Sul Naviglio (MI), Italy
Tel: (02) 484-781

Printed in CHINA